

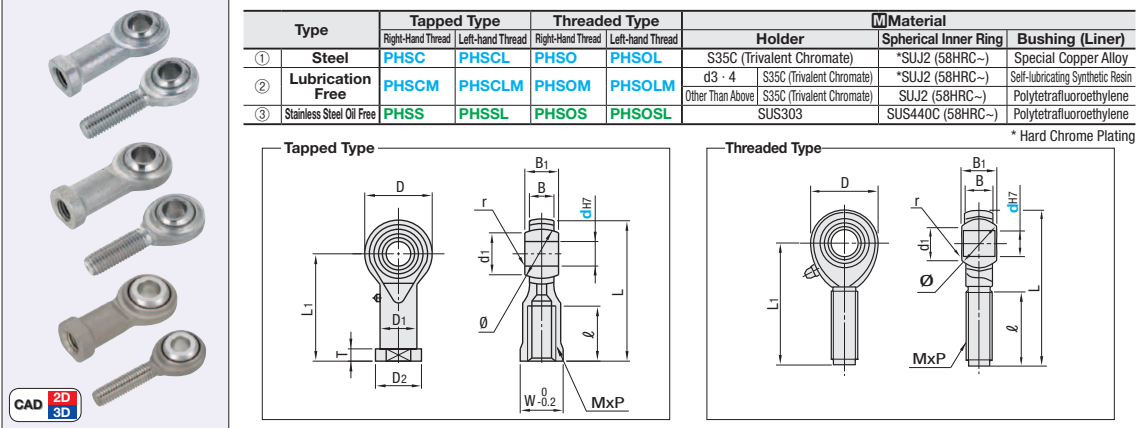
# Rod End Bearings

- Standard Type -

# MISUMI C-VALUE Rod End Bearings

Comparing points of Similar Products | Compact D dimension. RoHS Compliant.

Ordering Example: Part Number (Type · d) **PHSC5**



Type	d	D	D1	D2	L	L1	MxP	ℓ		B	B1	T	W	d1			r	Static Load Capacity Radial Cs (kN)			Mass		
								(1)(2)	(3)					(1)	(2)	(3)		(1)	(2)	(3)	(1)	(2)	(3)
Tapped Type	3	12	6.5	8	27	21	M3×0.5	10	-	4.5	6	3	7	7.4	-	-	0.3	-	1.57	-	6.5	-	-
Right-Hand Thread	4	14	8	9.5	31	24	M4×0.7	12	-	5.3	7	4	8	7.6	-	-	0.3	5.59	3.92	0.98	16.5	16	
PHSC	5	16	9	11	35	27	M5×0.8	14	12.5	6	8	5	9	7.7	8.8	-	0.3	6.86	5	1.44	25	25	
PHSCM	6	18	10	13	39	30	M6×1.0	17	13.5	6.75	9	6	11	9	11.1	-	0.5	9.8	7.45	2.69	43	43	
PHSS	8	22	12.5	16	47	36	M8×1.25	17	16	9	12	5	14	10.4	12.7	-	0.5	13.2	9.41	4.16	72	72	
Left-Hand Thread	10A	26	15	19	56	43	M10×1.5	21	19	10.5	14	6.5	17	12.9	15.2	-	0.5	16.7	11	5.88	107	107	
PHSCL	12	30	17.5	22	65	50	M12×1.75	24	24	12	16	8	19	15.4	17.6	-	0.7	20.6	15.2	6.61	160	160	
PHSCLM	14	34	20	25	74	57	M14×2.0	27	27	13.5	19	10	22	16.9	19.2	-	0.7	25	20.2	8.33	210	210	
PHSSL	16	38	22	27	83	64	M16×2.0	33	33	15	21	10	27	19.4	19.4	-	0.7	29.4	25.2	11.52	295	11.52	
	18A	42	25	31	92	71	M18×2.5	36	-	16.5	23	10	30	21.9	21.9	-	0.7	34.3	27.8	-	380	-	
	20	46	27.5	34	100	77	M20×1.5	40	-	18	25	10	32	24.4	-	-	0.7	41.2	35.9	-	490	-	
	22	50	30	37	109	84	M22×1.5	43	-	20	28	12	32	25.8	-	-	0.7	-	-	-	-	-	

① Steel, ② Lubrication Free, ③ Stainless Steel Oil Free

Type	d	D	L	L1	MxP	ℓ	B	B1	d1			r	Static Load Capacity Radial Cs (kN)			Mass		
									(1)(2)	(3)	(1)		(2)	(3)	(1)	(2)	(3)	
Threaded Type	3	12	33	27	M3×0.5	15	4.5	6	7.4	-	-	0.3	-	1.57	-	4.5	-	-
Right-Hand Thread	4	14	37	30	M4×0.7	17	5.3	7	7.6	-	-	0.3	3.43	3.43	0.98	12.5	12	
PHSO	5	16	41	33	M5×0.8	20	6	8	7.7	8.8	-	0.3	4.9	4.9	1.44	19	19	
PHSOM	6	18	45	36	M6×1.0	22	6.75	9	9	11.1	-	0.5	6.86	6.86	2.69	32	32	
PHSOS	8	22	53	42	M8×1.25	25	9	12	10.4	12.7	-	0.5	10.8	9.41	4.16	54	54	
Left-Hand Thread	10A	26	61	48	M10×1.5	29	10.5	14	12.9	15.2	-	0.5	16.7	11	5.88	85	85	
PHSOL	12	30	69	54	M12×1.75	33	12	16	15.4	17.6	-	0.7	20.6	15.2	6.61	126	126	
PHSOLM	14	34	77	60	M14×2.0	36	13.5	19	16.9	19.2	-	0.7	25	20.2	8.33	185	185	
PHSOLM	16	38	85	66	M16×2.0	40	15	21	19.4	19.4	-	0.7	29.4	-	-	260	-	
PHSOLM	18	42	93	72	M18×2.5	44	16.5	23	21.9	21.9	-	0.7	34.3	27.8	-	340	-	
PHSOLM	20	46	101	78	M20×1.5	47	18	25	24.4	-	-	0.7	41.2	35.9	-	435	-	
PHSOLM	22	50	109	84	M22×1.5	51	20	28	25.8	-	-	0.7	-	-	-	-	-	

① Steel, ② Lubrication Free, ③ Stainless Steel Oil Free

No Grease Fitting for PHSO(L)5 ~ 6.

### 1. Shaft Fits

Usage Condition	Tolerance of Shaft Dimensions	
	Steel	Oil Free / Stainless Steel Oil Free
Normal Load	h7	p6
Non-directional Load	p6	p6

### 2. Clearance

	Steel	Oil Free / Stainless Steel Oil Free
Radial Direction Clearance	0.035 or Less	0.045 or Less
Axial Clearance	0.1 or Less	0.1 or Less

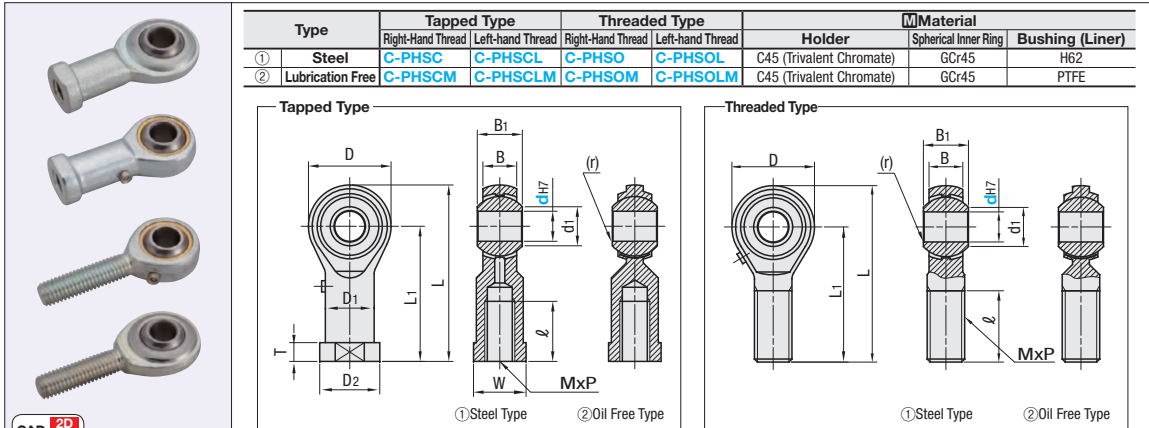
### 3. Allowable Slant Face

Shaft Step Shape	Shaft Condition	Allowable Incline Angle
Large	Stepped part of the shaft contacts the outer circumference of the holder.	Small (α1)
Medium	Stepped part of the shaft contacts the inner circumference of the holder.	Medium (α2)
No	Shaft contacts the inner circumference of the holder.	Large (α3)

Unit: mm

Comparing points of Similar Products | RoHS Directive unchecked.

Ordering Example: Part Number (Type · d) **C-PHSC8**



Type	d	D	D1	D2	L	L1	MxP	ℓ	B	B1	T	W	d1	r	Static Load Capacity Radial Cs (kN)			Mass	
															(1)	(2)	(3)	(1)	(2)
Tapped Type	5	16	19	8.5	9	11	35	36.5	27	6	8	4	9	7.7	0.3	5.7	6	16	18
Right-Hand Thread	6	18	21	10	10	13	39	40.5	30	6.75	9	5	11	8.96	0.3	7.2	7.65	22	26
C-PHSC	8	22	25	12.5	16	17	47	48.5	36	9	12	6.5	14	10.4	0.5	11.6	12.9	47	47
C-PHSCM	10	26	29	15	19	22	56	57.5	43	10.5	14	6.5	17	12.9	0.3	14.5	18	77	77
Left-Hand Thread	10A	26	29	15	19	22	56	57.5	43	10.5	14	6.5	17	12.9	0.5	14.5	-	77	-
C-PHSC	12	30	33	17.5	22	25	65	66.5	50	12	16	8	19	15.4	0.3	17	24	100	100
C-PHSCM	14	34	37	20	25	27	74	75	57	13.5	19	8	22	16.9	0.3	24	-	160	-
C-PHSCM	14A	34	37	20	25	27	74	75	57	13.5	19	8	22	16.9	0.5	24	-	160	-
C-PHSCM	16	40	43	22	27	27	84	85.5	64	15	21	8	22	19.4	0.3	28.5	39	220	220

① Steel, ② Lubrication Free

Type	d	D	L	L1	MxP	ℓ	B	B1	d1	r	Static Load Capacity Radial Cs (kN)			Mass	
											(1)	(2)	(3)	(1)	(2)
Threaded Type	5	16	19	41	42.5	33	6	6	7.7	0.3	5.7	6	13	14	
Right-Hand Thread	6	18	21	45	46.5	36	6.75	6.7	8.96	0.3	7.2	7.65	20	20	
C-PHSC	8	22	25	53	54.5	42	9	9	10.4	0.3	11.6	12.9	30	38	
C-PHSCM	10	26	29	61	62.5	48	10.5	11	12.9	0.3	14.5	18	55	55	
Left-Hand Thread	12	30	33	69	70.5	54	12	12	15.4	0.3	17	24	85	85	
C-PHSC	14	34	37	77	78.5	60	13.5	14	16.9	0.3	24	31	140	140	
C-PHSCM	16	40	43	86	87.5	66	15	15	19.4	0.3	28.5	39	210	210	

① Steel, ② Lubrication Free

Example: PHSCM Right-hand Thread, LBRFN P.2419 Rod End Bearing Coupling Rod, PHSCM Right-hand Thread.

MSCCA P.2365

### Comparison with Quality Products

	C-VALUE Products	Quality Products
RoHS	Non-Compliant	Compliant
Dimension *	D Dimension Thick	D Compact
Static Radial Cs	High	Standard
Clearance (Gap)	Equivalent	Equivalent
Ball Movement	Equivalent	Equivalent
Tensile Strength	Equivalent	Equivalent

\* For details of dimensions, refer to the specification table.