

# Shaft Collar Set Screw

## Standard / Wide

**Standard**

**Wide**

Type	Material	Surface Treatment	Accessory
Standard	S45C Equivalent	Black Oxide Coating	Set Screw 2 pcs.
Wide	SUS304	Electroless Nickel Plating	Set Screw 2 pcs.
SCCN	S45C Equivalent	Black Oxide Coating	MSCM435 Equivalent
PSCCN	S45C Equivalent	Electroless Nickel Plating	MSCM435 Equivalent
SSCCN	SUS304	-	MSCM435 Equivalent
SCCA	2000 Series Aluminum Alloy	Clear Anodize	MSCM435 Equivalent
SCCAW	2000 Series Aluminum Alloy	Clear Anodize	MSCM435 Equivalent
SCCAB	2000 Series Aluminum Alloy	Black Anodize	MSCM435 Equivalent

Part Number	Type	D	B Selection	D1	d1	C	Set Screw M x Length	Unit Price			
								SCCN	PSCCN	SSCCN	SCCA
(Standard) SCCN PSCCN SSCCN SCCA SCCAW SCCAB	3	0.06	*6 8	7	4.5	0.2	M3x3				
	4		*6 8	8	5.5		M4x3				
	5		*6 8 10	11	10						
	6		*6 8 *10	12	11						
	8		*6 8 *10	14	12						
	10		*6 8 *10	16	13						
	12		6 *8 *10 12	20	15						
	13		*8 *10 12	22	18						
	15		*8 *10 *12	24	20						
	16		8 *10 12 15	26	22						
	18, 20		*10 *12 *15	32	27						
	25		*12 15 18	38	31						
	30		*15 18 20	46	38						
	35		*15 18 20	50	40						
	40		*20 22	60	45						
50	20 *22 25	70	55								

Part Number	Type	DH7	B Selection	D1	d1	C	Set Screw M x Length	Unit Price		
								SCC	PSCC	SSCC
(Wide) SCC PSCC SSCC	5	0	6 *8	14	14	0.5	M4x4			
	6		6 *8	15	15					
	8		*10	16	16					
	10		8	18	16					
	12		8 10	20	16					
	13		8	22	20					
	15		8 10 12	26	20					
	20		*8	22	20					
	25		8 10	26	20					
	30		8 10	25	24					
	35		*12	28	24					
	40		10 12 15	32	29					
	50		12 15 *18	42	38					
	30		16	45	42					
	35		*20	49	47					
40	*20	59	47							
50	*20 *22	72	55							
50	*25	79	65							

Ordering Example: Part Number - B  
SCCN12 - 10

Alterations Example: Part Number - B - (KB · WKB)  
SCCN12 - 10 - KB

Alterations	With Knurled Knob (Hand Tightening Type)
Code	KB (1 pc.) / WKB (2 pcs.)
Spec.	<p>A knurled knob is included.</p> <p>* For detailed dimensions, see the right.</p> <p>A Set Screw is also included.</p> <p>Ordering Code: KB (or WKB)</p> <p>3≤D≤25</p> <p>8≤B≤18</p>

- Features**
- Replacing the Hex Socket Set Screws with Knurled Knobs enables easy installation and removal of the shaft collar by hand.
  - Set Screws come with thread locking treatment (For details, see P.275). The knob that matches with dimension "B Selection" and dimension "M (Coarse)" is included.
  - Ex.) When a knob is specified for SCCN10-8, Knurled Knobs of B8 and M4 are included.

**Knurled Knob Details**

B Selection	M (Coarse)	D	L	T
8	3	7.5	6	3
	4		8	
	5		6	
10	4	9.5	8	4
	5		10	
	6		6	
12	5	11.5	10	5
	6		12	
	6		8	
15	6	14.5	10	5
	6		15	
	6		10	
18	6	15.5	10	5
	6		18	
	6		10	

Material: SUS304

# Shaft Collar Set Screw

## Compact

**Features:** Smaller by up to 25% in width (B dimension) and 15% in O.D. (D1 dimension) than Standard Type P.267.

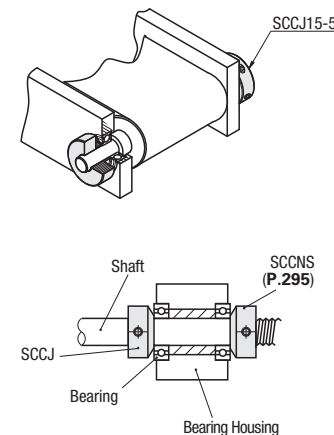
**Compact**

Type	Material	Surface Treatment	Accessory
SCCJ	S45C Equivalent	Black Oxide Coating	Set Screw 2 pcs.
PSCCJ	S45C Equivalent	Electroless Nickel Plating	Set Screw 2 pcs.
SSCCJ	SUS304	-	Set Screw 2 pcs.

Part Number	Type	D	B Selection	D1	d1	C	Set Screw M x Length	Unit Price						
								SCCJ	PSCCJ	SSCCJ				
(Compact) SCCJ PSCCJ SSCCJ	3	0.06	5	7	-	0.2	M3x3							
	4			8										
	5			11										
	6			12										
	8			14										
	10			16										
	12			19										
	13			20										
	15			22										
	20			6				27	22.5	1	M4x3			
	8			8				27.5						
	25			10				32	27.5					
	30			10				39	32.5					
	35			10				44	37.5					
	12			12				46	37.5					
15	15	51	42.5											
18	18	53	42.5											
5	5	27	22.5											
8	8	27.5	27.5											
10	10	32	27.5											
12	12	39	32.5											
15	15	44	37.5											
18	18	51	42.5											

Ordering Example: Part Number - B  
SCCJ15 - 5  
SSCCJ25 - 10

Example



### Size Comparison Table

D	Size Differences		Compact		Standard (P.267)	
	B (Thickness)	D1 (O.D.)	B (Thickness)	D1 (O.D.)	B (Thickness)	D1 (O.D.)
3	-1	0	5	7	6	7
4	-1	0	5	8	6	8
5	-1	0	5	11	6	11
6	-1	0	5	12	6	12
8	-1	0	5	14	6	14
10	-1	0	5	16	6	16
12	-1	-1	5	19	6	20
13	-3	-2	5	20	8	22
15	-3	-2	5	22	8	24
20	-4	-5	6	27	10	32
25	-4	-6	8	32	12	38
30	-5	-7	10	39	15	46
35	-5	-6	10	44	15	50
40	-5	-9	15	51	20	60