


# Shaft Collar Side Mount Hole, Standard Clamp / Split

# Shaft Collar Compact Type with Side Mount Holes (For Space Saving Design) Clamp / Split

■Features: Mounting holes on the side enable easy installation of sensor brackets.

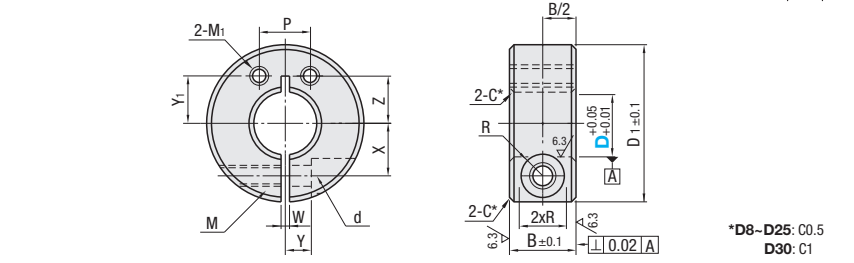
■Features: Smaller by up to 40% in width (B dim.) and 17% in O.D. (D<sub>1</sub> dim.) than the Side Mount Hole Standard Type (P291).

**Standard Clamp**



RoHS10


Type	Material	Surface Treatment	Accessory
SCJS	S45C	Black Oxide Coating	Hex Socket Head Cap Screw 1 pc
PSCJS	Equivalent	Electroless Nickel Plating	SCM435 Equivalent
SSCJS	SUS304 Equivalent	-	SUS304 Equivalent



25/(6.3/)

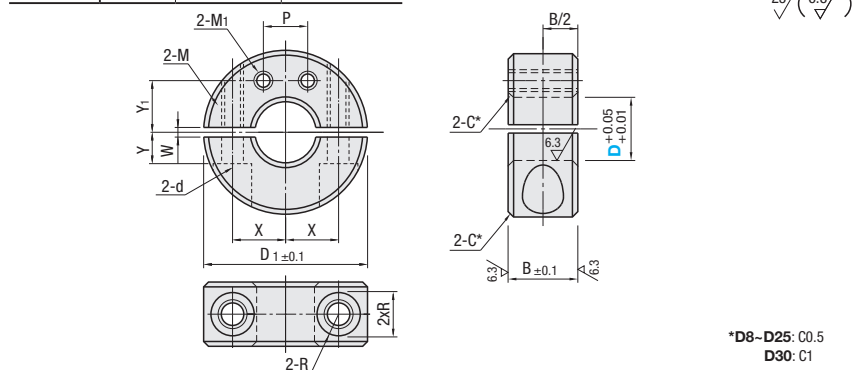
\*D8~D25: C0.5  
D30: C1

**Standard Split**



RoHS10


Type	Material	Surface Treatment	Accessory
SCJP	S45C	Black Oxide Coating	Hex Socket Head Cap Screw 2 pcs.
PSCJP	Equivalent	Electroless Nickel Plating	SCM435 Equivalent
SSCJP	SUS304 Equivalent	-	SUS304 Equivalent



25/(6.3/)

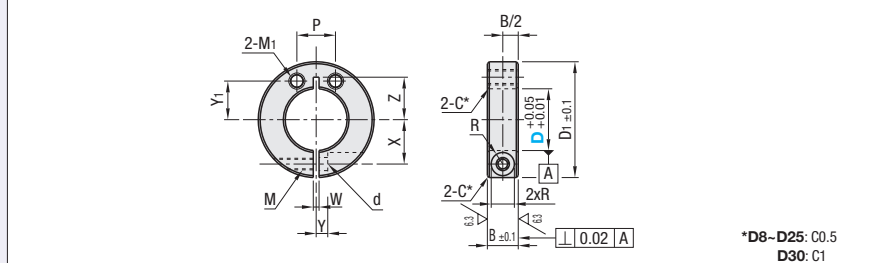
\*D8~D25: C0.5  
D30: C1

**Compact Clamp**



RoHS10


Type	Material	Surface Treatment	Accessory
SCJSJ	S45C	Black Oxide Coating	Hex Socket Head Cap Screw 1 pc
PSCJSJ	Equivalent	Electroless Nickel Plating	SCM435 Equivalent
SSCJSJ	SUS304 Equivalent	-	SUS304 Equivalent



25/(6.3/)

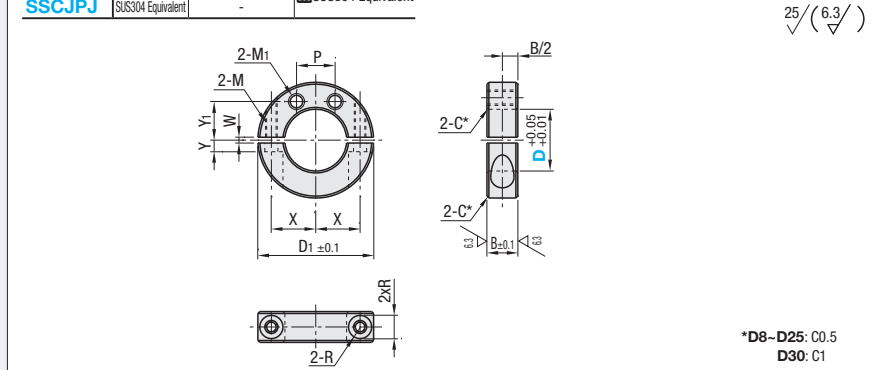
\*D8~D25: C0.5  
D30: C1

**Compact Split**



RoHS10

Type	Material	Surface Treatment	Accessory
SCJPJ	S45C	Black Oxide Coating	Hex Socket Head Cap Screw 2 pcs.
PSCJPJ	Equivalent	Electroless Nickel Plating	SCM435 Equivalent
SSCJPJ	SUS304 Equivalent	-	SUS304 Equivalent



25/(6.3/)

\*D8~D25: C0.5  
D30: C1

Part Number	Type	D	B	D <sub>1</sub>	M (Coarse)	d	R	W	X	Y	Z	M <sub>1</sub> (Coarse)	Y <sub>1</sub>	P	Unit Price					
															Clamp Type	Split				
															SCJS	PSCJS	SSCJS	SCJP	PSCJP	SSCJP
Clamp Type SCJS PSCJS SSCJS	8	25							8		7~9	M3	8	8						
	10	30							9	5	8~10									
	12								10		9~10	M4	10	10						
	13																			
	15																			
	15A																			
	16								11.5		10~12									
	16A																			
	20A																			
	20																			
Split SCJP PSCJP SSCJP	25							1.5	6		11~12	M5	12	12						
	25A																			
	30																			
									14	7	13	M4	14	14						
									17		16~18	M5	17	16						
									20	10	18~20	M4	20	12						

Part Number	Type	D	B	D <sub>1</sub>	M (Coarse)	d	R	W	X	Y	Z	M <sub>1</sub> (Coarse)	Y <sub>1</sub>	P	Unit Price					
															Clamp Type	Split				
															SCJSJ	PSCJSJ	SSCJSJ	SCJPJ	PSCJPJ	SSCJPJ
Clamp Type SCJSJ PSCJSJ SSCJSJ	8	22							7					7						
	10	25							8					8						
	12	25							9	3				9						
	15	30							11					11						
	16	30							11.5					11.5						
	20	35							13					13						
Split SCJPJ PSCJPJ SSCJPJ	25	42							16.5	5				16.5						
	30	50							20	6				20						

⊕The halves must remain in the same orientation as shipped when in use. ⊕For Split Type in ( ), P dimension is 14 when D20A is selected.

⊕The halves must remain in the same orientation as shipped when in use.

Ordering Example: **Part Number** SCJS10, SCJP12, SSCJP25A

Example: **EX** Example

\*Refer to Sheet Metal Products (Plate Type on P2-1838). (Dedicated sensor mounting brackets are not available from MISUMI.)

Ordering Example: **Part Number** SCJSJ8, SCJPJ15

Size Comparison Table

D	Size Differences		Compact		Standard (P253)	
	B (Thickness)	D <sub>1</sub> (O.D.)	B (Thickness)	D <sub>1</sub> (O.D.)	B (Thickness)	D <sub>1</sub> (O.D.)
8	-4	-3	6	22	10	25
10	-4	-5	6	25	10	30
12	-4	-5	6	25	10	30
15	-2	-4	8	30	10	34
16	-2	-5	8	30	10	35
20	-2	-5	8	35	10	40
25	-2	-3	10	42	12	45
30	-3	-5	12	50	15	55

