

OIL-FREE EJECTOR LEADER BUSHINGS

OIL-FREE EJECTOR LEADER BUSHINGS

—LONG S DIMENSION TYPE—

Ⓜ Non JIS material definition is listed on P.1351 - 1352

RoHS **EGBHZ** (Long S dimension • oil-free type)

● Usable temperature range for the special solid lubricant: 80°C or less *
 M SUJ2 Special solid lubricant MoS₂ (Embedded) I 58HRC~

S	H	Dh6	Part Number Type	d	ℓ	U/Price 1~9
10	25	22	EGBHZ	13	10 13 15	Quotation
10	28	25		16	13 15	
10	33	30		20	20	
10	38	35		25	15	
15	43	40		30	15 20 25	
20	48	45		35	20 25	
20	55	52	40	20 25 30		
20	65	62	50	25 30		

RoHS **EGBZS** (Copper alloy • oil-free type)

● Usable temperature range for the special solid lubricant: 150°C or less *
 M Grade-4 high strength brass (CAC304) (OldJIS • HBsC4) Special solid lubricant (Embedded)

S	H	Dh6	Part Number Type	d	ℓ	U/Price 1~9
10	25	22	EGBZS	13	10 13 15	Quotation
10	28	25		16	13 15	
10	33	30		20	13 15 20	
10	38	35		25	15	
15	43	40		30	15 20 25	
20	48	45		35	20 25	
20	55	52	40	20 25 30		
20	65	62	50	25 30		

RoHS **EGBPK** (High temperature use • Copper alloy • oil-free type)

● Usable temperature range for the special solid lubricant: 250°C or less *
 M Special high strength copper (CAC304) Special solid lubricant Graphite (embedded)

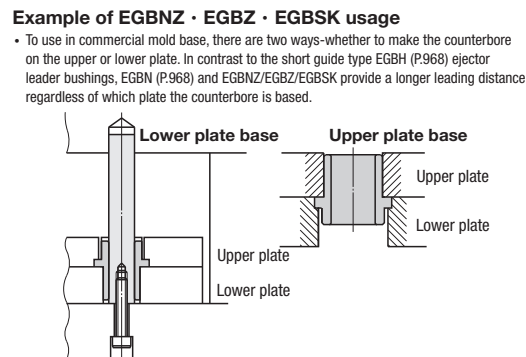
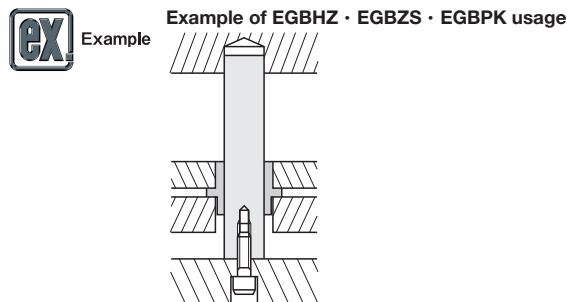
S	H	Dh6	Part Number Type	d	ℓ	U/Price 1~9
10	25	22	EGBPK	13	13 15	Quotation
10	28	25		16	15	
10	33	30		20	13 15 20	
10	38	35		25	15	
15	43	40		30	20 25	
20	48	45		35	25	
20	55	52	40	25 30		
20	65	62	50	30		

Order

Part Number	ℓ	L
EGBHZ16	—	20
EGBZS16	—	20
EGBPK16	—	15
EGBNZ16	—	20
EGBZ20	—	33
EGBSK20	—	33

P Price **Quotation**

Days to Ship **Quotation**



RoHS **EGBNZ** (Long S dimension • oil-free type)

● Usable temperature range for the special solid lubricant: 80°C or less *
 M SUJ2 Special solid lubricant MoS₂ (Embedded) I 58HRC~

S	H	Dh6	Part Number Type	d	ℓ	U/Price 1~9
ℓ+8	28	25	EGBNZ	16	10	Quotation
	33	30		20	15 20	
38	35	0		25	10	
	40	-0.013		30	15 20 25	
43	40	0		35	20 25 30	
48	45	-0.016		40	20 25 30	
55	52	0	50	20 25 30		
65	62	-0.019				

RoHS **EGBZ** (Long S dimension • Copper alloy • oil-free type)

● Usable temperature range for the special solid lubricant: 150°C or less *
 M Grade-4 high strength brass (CAC304) (OldJIS • HBsC4) Special solid lubricant (Embedded)

S	H	Dh6	t	Part Number Type	d	L Selection	U/Price 1~9	
14	25	22	0	EGBZ	13	25	Quotation	
19	28	25			16	25		
14	33	30			0	20		33
19						20		38
24	38	35			4	25		43
14						25		33
19	43	40	0	30	38			
24				35	43			
29	48	45	0	40	53			
24				38	43			
29	55	52	8	45	68			
24				43	53			
29	61	55	0	50	68			
24				43	53			
29	71	65	0	55	68			
24				43	53			

RoHS **EGBSK** (High temperature use/Long S dimension/Copper alloy • oil-free type)

● Usable temperature range for the special solid lubricant: 250°C or less *
 M Special high strength copper (CAC304) Special solid lubricant Graphite (embedded)

S	H	Dh6	t	Part Number Type	d	L Selection	U/Price 1~9	
19	33	30	0	EGBSK	20	33	Quotation	
19	38	35			25	38		
24	43	40			0	30		43
29						35		53
29	48	45			4	40		68
24						38		53
29	61	55	8	50	68			
24				43	68			
29	71	65	0	55	68			
24				43	68			

RoHS **EGBSK** (High temperature use/Long S dimension/Copper alloy • oil-free type)

● Usable temperature range for the special solid lubricant: 250°C or less *
 M Special high strength copper (CAC304) Special solid lubricant Graphite (embedded)

● For features of EGBSK (high temperature use/copper alloy type), refer to P.922

■ Order • Delivery • Quantity discount • Example Left page

Components of Ejector Space