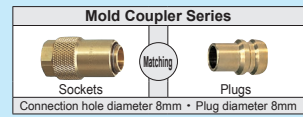



MOLD COUPLERS

-PLUGS-



Matching Joint Plug Connections P.245 Guide for Socket • Plugs P.247 • 248



RoHS 10

LSPM (L-shaped swivel type -Constant flow type-)

Matching Sockets: P.249


※Socket connection section

⚠ Hexagonal hole bored at the tapered screw end.

Thread JIS B0203 tapered thread for tubing R(PT)

■ Body: Brass (C3604)
Inner parts: Brass (C2700W)
Fluoric rubber
Fluoric rubber grease

Matching Sockets: P.249



RoHS 10

LSP (L-shaped swivel type)

Matching Sockets: P.249

※Socket connection section

⚠ Hexagonal hole bored at the tapered screw end.

Thread JIS B0203 tapered thread for tubing R(PT)

■ Brass (C3604)

Matching Sockets: P.249

| Max. pressure MPa (kgf/cm ²) | Matching Sockets | Socket connection parts | | L1 | L2 | Allen side B | Hex wrench socket ϕ d | Tapered thread R(PT) | ℓ_1 | Opposite side Nominal dia. | | Part Number | | Unit Price 1-9 pcs |
|---|---|-------------------------|--------|------|-------|-----------------|-------------------------------|-------------------------|----------|-------------------------------|-----|---|---|-----------------------|
| | | V | ℓ | | | | | | | Type | No. | | | |
| 1.0 (10) | Mold Coupler Series Socket hole diameter V=8 Common to all sizes | 8 | 15 | 35.5 | 16.5 | 20 | ϕ 6 | 1/8 | 9.5 | 6A | 1/8 | L-shaped swivel type -Constant flow type- LSPM (Brass) | 1 | Quotation |
| | | | | 38.5 | | | ϕ 8 | 1/4 | 12.5 | 8A | 1/4 | | 2 | |
| | | | | 39.5 | | | | 3/8 | 13.5 | 10A | 3/8 | | 3 | |
| | | 8 | 15 | 36.5 | 15.75 | 19 | ϕ 6 | 1/8 | 9.5 | 6A | 1/8 | L-shaped swivel type LSP (Brass) | 1 | |
| | | | | 39.5 | | | ϕ 8 | 1/4 | 12.5 | 8A | 1/4 | | 2 | |
| | | | | 42.5 | | | | 3/8 | 13.5 | 10A | 3/8 | | 3 | |

Matching Sockets: MISUMI's mold couplers KSH • KTSH • KSM • KTSM • KFF • KTF • F120—KSH • F120—KSM • F120—KFF • F120—KSHL • F120—KTSHBL P.249
Nitto's mold couplers K□□SH (E.g. K02SH) • K□□TSH • K□□SM (E.g. K02SM) • K□□TSM • K□□SF • K□□TSF • K□□SHL

Order

Part Number

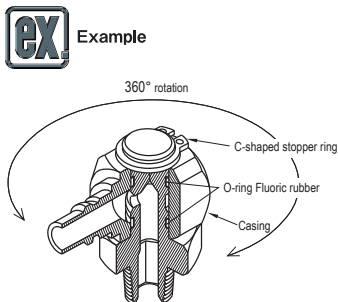
LSPM 1
LSP 2

Days to Ship

Quotation

Price

Quotation



• As for L-Shaped Swivel Plugs, the tube extraction angle can be altered by turning its head after tightening the screw.

⚠ Note that intermittent or continuous turning of the head could damage the O-ring, which results in water leakage.

L-shaped Swivel Type Structure

| Conventional L-shaped Swivel Joints | New L-shaped Swivel Joints Constant flow type |
|--|---|
| <p>Vertical cross section</p> <p>A Cross section</p> <p>A Horizontal cross section</p> | <p>Vertical cross section</p> <p>A Cross section</p> <p>A Horizontal cross section</p> |
| <p>■ Component A and B</p> <p>■ Features</p> <ul style="list-style-type: none"> The fluid flowing in the transverse hole ϕ C is throttled, makes the flow rate fluctuate. When component A is rotated, the position of transverse hole will shift, increasing the flow rate fluctuation. | <p>■ Component A₁ and B₁</p> <p>■ Features</p> <ul style="list-style-type: none"> The flow fluctuation on the inlet and outlet are smaller compared to conventional products. A steady flow rate can be obtained even when component A is rotated and come at any position. |

COMPONENTS FOR MOLD COOLING AND TEMPERATURE CONTROLLING SYSTEMS