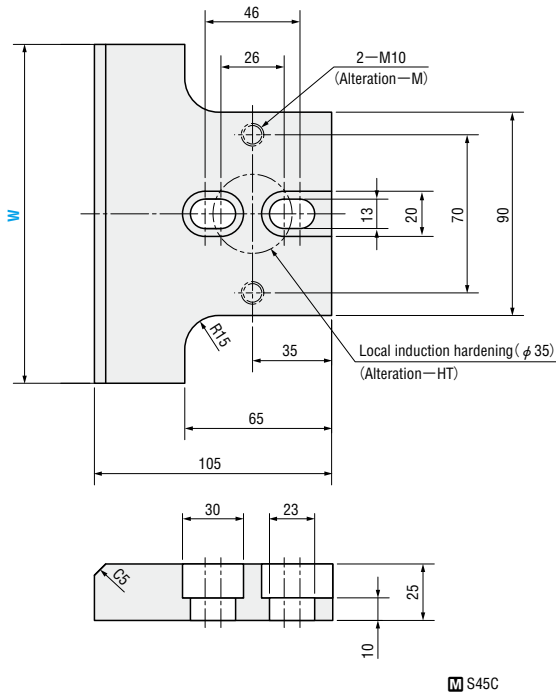
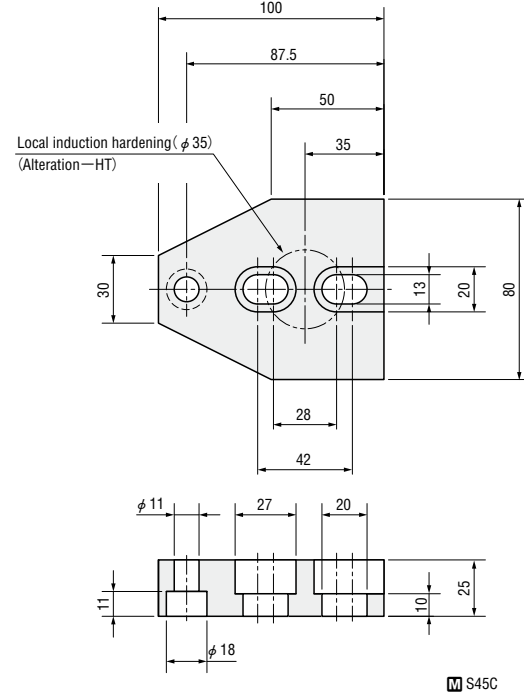


# LIFT PLATES / GAUGE PLATES / ADVANCE PINS FOR FLOF FLANGE LIFTERS

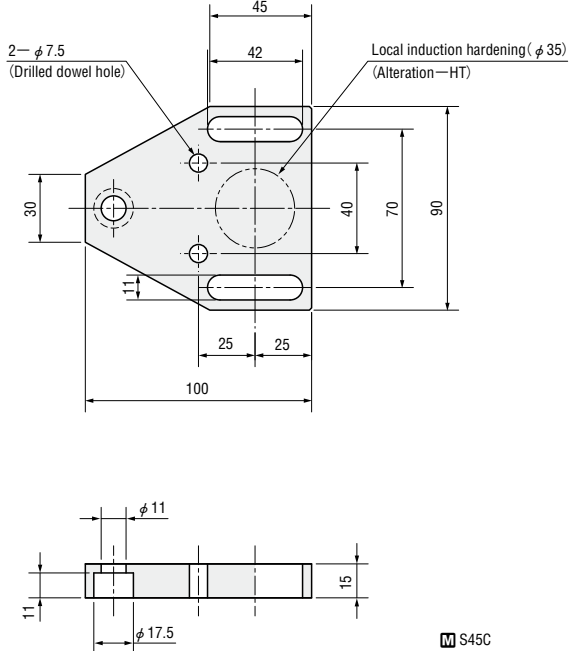
## FLLP



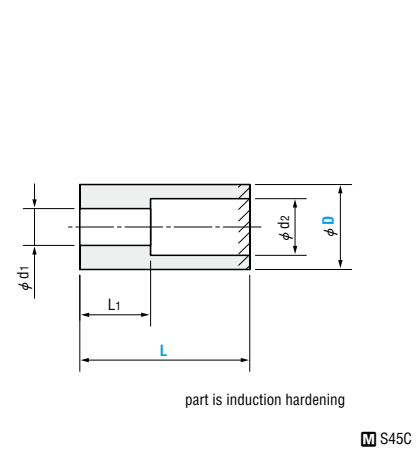
## FLGPA



## FLGPB



## FLAP



### Lifting plate FLLP

Catalog No.	W
FLLP	90~150 (10mm increment)

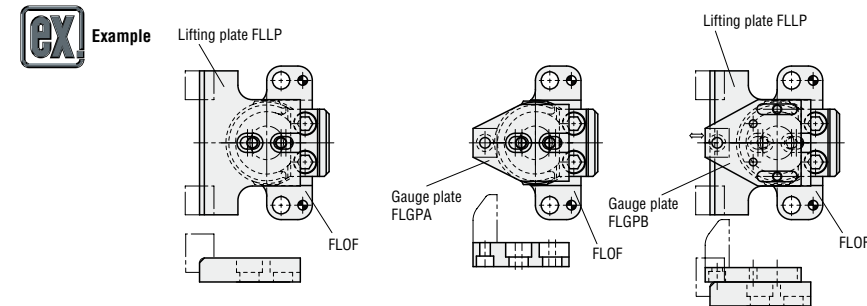
### Stroke end plate FLGPA · FLGPB

Catalog No.
FLGPA
FLGPB

Order	Catalog No.	W
	FLLP FLGPA FLGPB	100

Days to Ship	Quotation
	Quotation

Price	Quotation
	Quotation



### Preload pin FLAP

d1	d2	L1	Catalog No.	D	L 10mm increment
9	14	20	FLAP	25	40~60
		40			70~100
13	20	25			30
		45		35	70~100
		65		35	110~150

Order	Catalog No.	D	L
	FLAP	25	100

Days to Ship	Quotation
	Quotation

Price	Quotation
	Quotation

Alterations	Catalog No.	W	(M · HT)
	FLLP FLGPA	120	M HT

Code	Spec.
M	Machine stroke end plate on lifting plate FLLP Tap holes for installation (2-M10).
HT	The contacting area of preload pin shall be local induction hardening. (See the figure on left page for rough range)

\* See the left page for the specifications.