

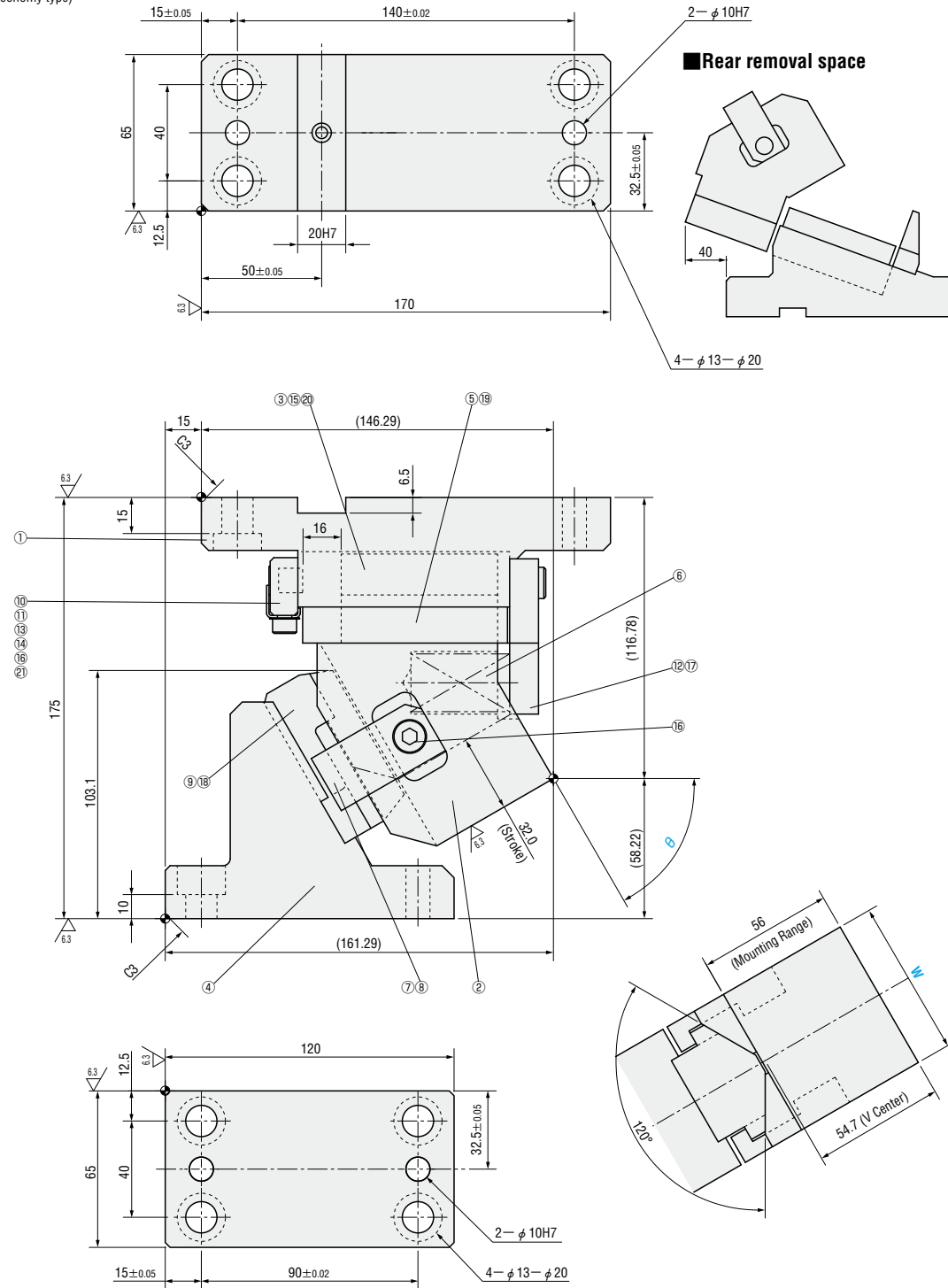
RIGID FLYING CAM UNITS

— MGFL • MEFL —



MGFL65-60
MEFL65-60

(Economy type)



Components table P.1287

Slide Stroke S	Working force KN (tonf)		Spring load N (kgf)			Total weight kg	Catalog No.	W	θ
	Standard working force	Max. working force	Preload	5mm before bottom dead center	Max. load				
32.0	29.4 (3.0)	58.8 (6.0)	246 (25.1)	722 (73.6)	810 (82.6)	11.1	MGFL MEFL (Economy type)	65	60

Order -
MGFL 65 - 60

Days to Ship **Quotation**

Price **Quotation**

Alterations - - (K)
MGFL 65 - 60 - K

Alteration	Code	Spec.
	K	Add locating key (With 1 hexagon socket head cap screw M8×15)