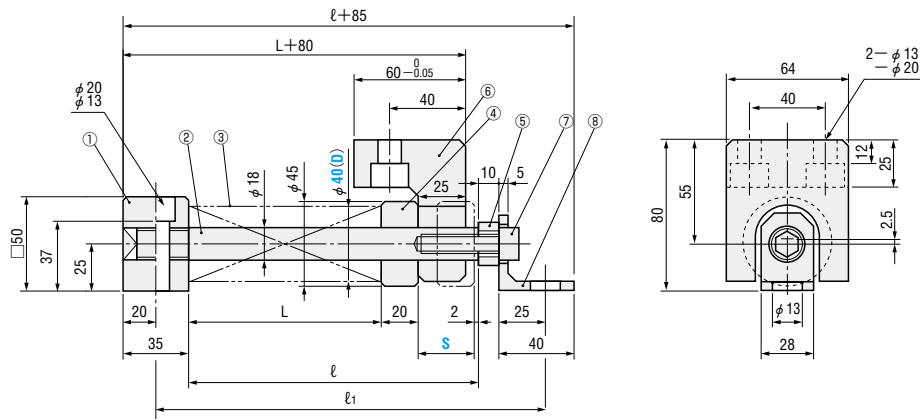


# RETURNING UNITS FOR CAM SLIDER

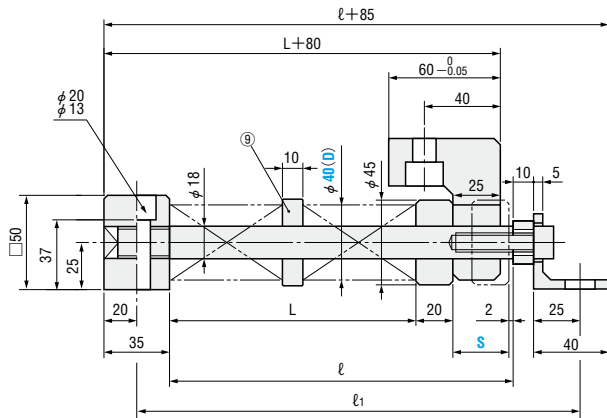


CUSSL 40  
CUSSM 40

● Coil spring one-step type



● Coil spring two-step type



ⓘ The view above is for Max.load.

■ Table of Components

No.	Name	Quantity	Material, Remarks	No.	Name	Quantity	Material, Remarks
①	Fixed plate	1	SS400	⑥	Slide angle	1	SS400
②	Guide pin	1	S45C 55HRC~	⑦	Hexagon socket head cap screw	1	SCM435 M12×40
③	Coil spring	1 (2)	Refer to the specifications table.	⑧	Support angle	1	SS400
④	Separate disk	1	FC250	⑨	Washer	1	FC250
⑤	Pressure disk	1	SS400				

Coil spring		Load N (kgf)		L		ℓ	ℓ <sub>1</sub>	Catalog No.	(D)	S
Catalog No.	Number of steps	Preload	Max. load	At preload	At Max. load					
SWL 40-100	1	635 ( 64.8)	1694 (173)	88	68	110	160	CUSSL	40	20
SWL 40-125	1	635 ( 64.8)		110	85	132	182			25
SWL 40-150	1	635 ( 64.8)		132	102	154	204			30
SWL 40-150	1	459 ( 46.8)		137	102	159	209			35
SWL 40-175	1	483 ( 49.3)		159	119	181	231			40
SWL 40-200	1	504 ( 51.3)		181	136	203	253			45
SWL 40-250	1	636 ( 64.9)		220	170	242	292			50
SWL 40-250	1	530 ( 54.0)		225	170	247	297			55
SWL 40-150	2	635 ( 64.8)		274	214	196	346			60
SWL 40-150	2	547 ( 55.8)		279	214	301	351			65
SWL 40-175	2	634 ( 64.7)		318	248	340	390			70
SWL 40-175	2	559 ( 57.0)		323	248	345	395			75
SWL 40-200	2	636 ( 64.9)		362	282	384	434			80
SWL 40-200	2	570 ( 58.1)		367	282	389	439			85
SWL 40-200	2	504 ( 51.3)		372	282	394	444			90
SWL 40-200	2	437 ( 44.6)		377	282	399	449			95
SWL 40-250	2	636 ( 64.9)		450	350	472	522			100
SWL 40-250	2	583 ( 59.4)	455	350	477	527	105			
SWL 40-250	2	530 ( 54.0)	460	350	482	532	110			
SWM40-125	1	942 ( 96.1)	2510 (256)	113	93	135	185	CUSSM	40	20
SWM40-150	1	916 ( 93.4)		136	111	158	208			25
SWM40-200	1	1029 (104.9)		179	149	201	251			30
SWM40-225	1	959 ( 97.8)		203	168	225	275			35
SWM40-250	1	941 ( 96.0)		226	186	248	298			40
SWM40-300	1	1014 (103.4)		269	224	291	341			45
SWM40-175	2	1120 (114.2)		320	270	342	392			50
SWM40-175	2	980 ( 99.9)		325	270	347	397			55
SWM40-200	2	1029 (104.9)		368	308	390	440			60
SWM40-200	2	907 ( 92.4)		373	308	395	445			65
SWM40-225	2	1003 (102.3)		414	344	436	486			70
SWM40-250	2	1039 (105.9)		457	382	479	529			75
SWM40-250	2	941 ( 96.0)		462	382	484	534			80

Order **CUSSL 40 - 50**  
**CUSSM 40 - 30**

Days to Ship **Quotation**

Price **Quotation**

Example

