

MISUMI C-VALUE Casters

-Light Load- Wheel Material: Rubber

Comparing points of Similar Products | RoHS: Non-compliant. Running Test Criteria: Company internal standards based on GB (Run distance 1.5km). (Refer to P.2029 for details)

When ordering, select Part Number and Values from Selection Steps 1~3.

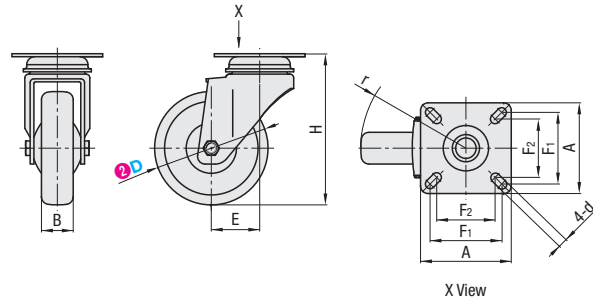
Ordering Example: Part Number (1 Type · 2 D) - 3 Wheel Material
C-CTAJ75 - R

Swivel Type

Type	Main Body		Wheel	Bearing	
	M Material	S Surface Treatment	M Material (Color)	Swiveling Part	Wheel
C-CTAJ	SPCC	Zinc Plating	Rubber (Gray)	Incorporated	None



CAD 2D 3D



X View

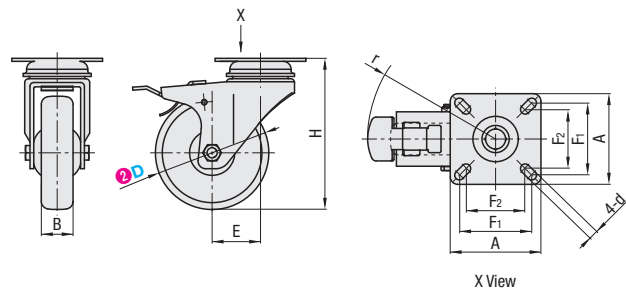
Part Number		Wheel Material	H	A	F1	F2	d	B	E	r	Allowable Load (N)	Mass (g)			
1 Type	2 D														
C-CTAJ	50	R (Rubber)	73	50	38	34	6.2	26	25.5	51	400	194			
	65		87.5	60	48	38							64.5	450	285
	75		99.5	60	48	38							63	32	69.5

Swivel Type + Stopper

Type	Main Body		Wheel	Bearing	
	M Material	S Surface Treatment	M Material (Color)	Swiveling Part	Wheel
C-CTAS	SPCC	Zinc Plating	Rubber (Gray)	Incorporated	None



CAD 2D 3D



X View

Part Number		Wheel Material	H	A	F1	F2	d	B	E	r	Allowable Load (N)	Mass (g)		
1 Type	2 D													
C-CTAS	50	R (Rubber)	73	50	38	34	6.2	26	26	75	400	224		
	65		87.5	60	48	38							450	335
	75		99.5	60	48	38							63	32

MISUMI C-VALUE Casters

-Light Load - Wheel Material: Urethane

Comparing points of Similar Products | RoHS: Non-compliant. Running Test Criteria: Company internal standards based on GB (Run distance 1.5km). (Refer to P.2029 for details)

When ordering, select Part Number and Values from Selection Steps 1~3.

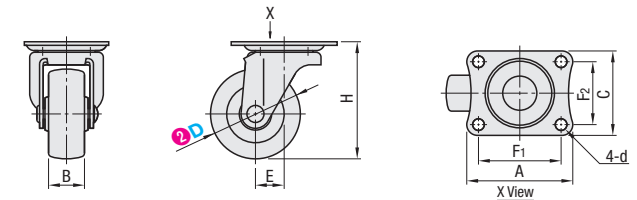
Ordering Example: Part Number (1 Type · 2 D) - 3 Wheel Material
CNROJ75 - U

Swivel Type

Type	Main Body		Roller	Bearing	
	M Material	S Surface Treatment	M Material (Color)	Swiveling Part	Wheel
CNROJ	SPHC	Bright Chromate Plating	Urethane (Black)	Incorporated	None



CAD 2D 3D



Among general-purpose plastics, polypropylene exhibits excellent chemical resistance, bending property and lightweight.

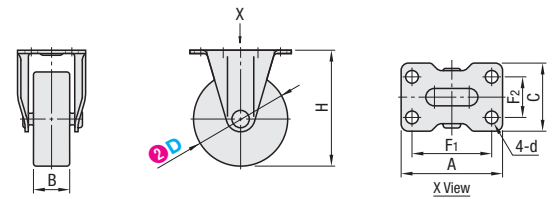
Part Number		Wheel Material	H	A	C	F1	F2	d	B	E	Allowable Load (N)	Mass (g)
1 Type	2 D											
CNROJ	38	U (Polyurethane)	50	46	38	36	28	5.1	17	17	200	90
	50		65	59	47	46	35	6.1	22	21	300	180
	75		93	70	58	55	42	8.1	27	27	500	340

Fixed Type

Type	Main Body		Roller	Bearing	
	M Material	S Surface Treatment	M Material (Color)	Swiveling Part	Wheel
CNROK	SPHC	Bright Chromate Plating	Urethane (Black)	None	None



CAD 2D 3D



Among general-purpose plastics, polypropylene exhibits excellent chemical resistance, bending property and lightweight.

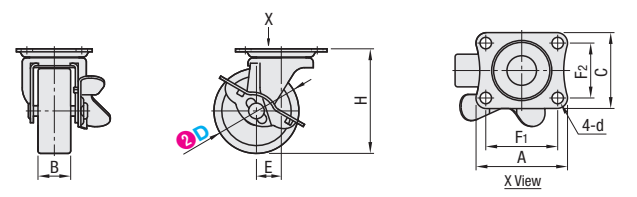
Part Number		Wheel Material	H	A	C	F1	F2	d	B	Allowable Load (N)	Mass (g)
1 Type	2 D										
CNROK	38	U (Polyurethane)	50	46	25	36	15	5.1	17	200	50
	50		65	58	40	45	25	6.1	22	300	120
	75		93	70	47	55	28	8.1	27	500	210

Swivel Type + Stopper

Type	Main Body		Roller	Bearing	
	M Material	S Surface Treatment	M Material (Color)	Swiveling Part	Wheel
CNROS	SPHC	Bright Chromate Plating	Urethane (Black)	Incorporated	None



CAD 2D 3D



Among general-purpose plastics, polypropylene exhibits excellent chemical resistance, bending property and lightweight.

Part Number		Wheel Material	H	A	C	F1	F2	d	B	E	Allowable Load (N)	Mass (g)
1 Type	2 D											
CNROS	38	U (Polyurethane)	50	46	38	36	28	5.1	17	17	200	100
	50		65	59	47	46	35	6.1	22	21	300	200
	75		93	70	58	55	42	8.1	27	27	500	350