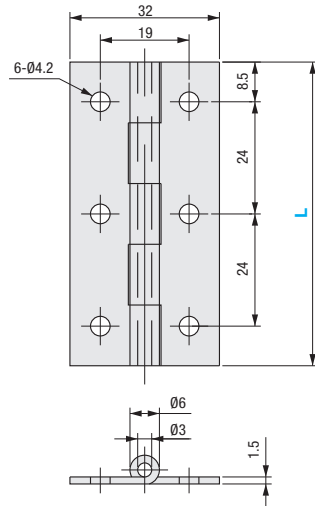


Ordering Example Part Number (Type-L)  
C-HHS65

Stainless Steel Hinges

C-HHS



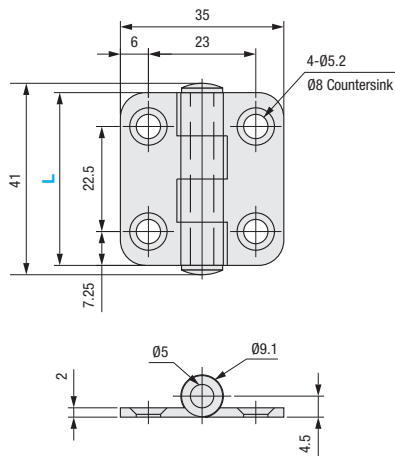
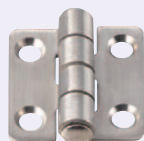
Material Stainless Steel

Part Number		Mass (g)
Type	L	
C-HHS	65	34

Ordering Example Part Number (Type-L)  
C-SHHPS37

Stainless Steel Hinges

C-SHHPS

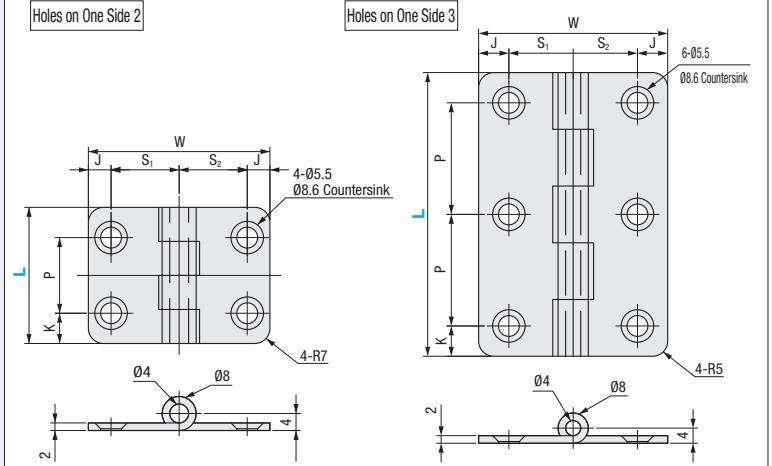
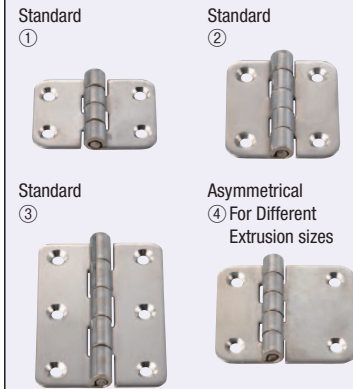


Material Stainless Steel

Part Number		Mass (g)
Type	L	
C-SHHPS	37	32

Ordering Example Part Number (Type-L)  
C-SHHPSD50

Stainless Steel Hinges



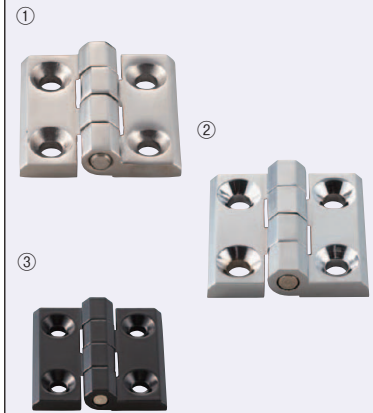
Mounting holes for all series are applicable to M4 screws.

Material Stainless Steel Material

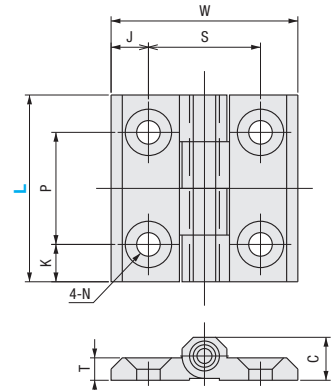
Part Number	Type	L	Per Side Number of Holes	W	K	P	J	S <sub>1</sub>	S <sub>2</sub>	Mass (g)
C-SHHPSD	①	36	2	48	8	20	6	18	18	34
	②	50	2	44		34	8	14	14	44
	③	75	3	50		29.5	17	17	76	
C-SHHPSF (For Unequal Size Extrusions)	④	50	2	54	8	34	8	14	24	53

Ordering Example Part Number (Type-L)  
C-HHSZ50

Cast Hinges



	Material		Surface Treatment	
	Hinge Plate	Shaft	Hinge Plate	Shaft
① C-HHSZ	Stainless Steel Material	Stainless Steel Material	-	-
② C-HHSZD	ZDC1	SPCC	Baked Finish (Silver)	Nickel Plating
③ C-HHSZB			Baked Finish (Black)	



Part Number	Type	L	W	K	P	J	S	T	C	N	Mass (g)		
										Through	Countersink	C-HHSZ	C-HHSZD C-HHSZB
C-HHSZ		40	40	7.5	25	7.5	25	5	9	5.3	10.2	-	45
C-HHSZD		50	50	10	30	10	30	6	11.5	6.3	12.4	100	90
C-HHSZB		60	60	12	36	12	36	8	15	8.4	16.5	190	165

Products with no ship dates indicated are not available.