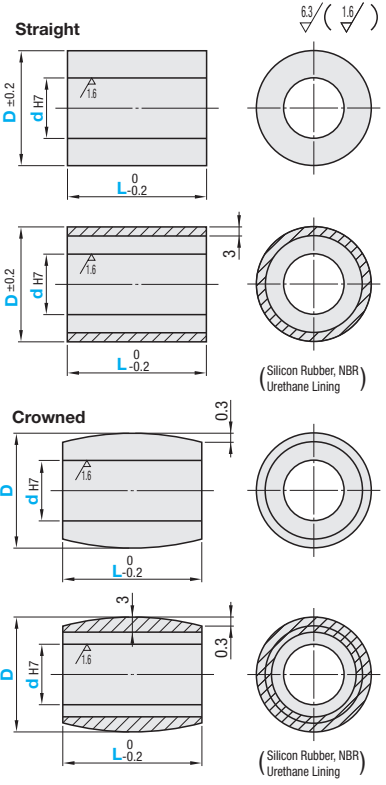


Rollers

Straight, Crowned-(L=15~100)

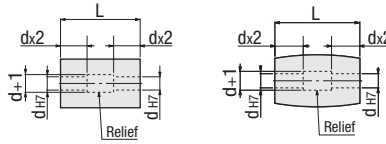


Type				Material	Surface Treatment (Lining)	Hardness
L Selectable	L Configurable	L Selectable	L Configurable			
ROLB	-	-	-	S45C Equivalent	Black Oxide	-
ROLM	-	-	-	SUS304	Electroless Nickel Plating	-
ROLS	-	ROCS	-	SUS304	-	-
ROLA	-	ROCA	-	Aluminum Alloy	Clear Anodize	-
ROKS	-	-	-	SUS304	-	Shore A95
ROKA	-	-	-	A5052	-	Shore A95
ROUS	ROFUS	ROCUS	-	SUS304	-	Shore A90
ROUA	ROFUA	ROCUA	ROFCUA	Aluminum Alloy (ROUA) (ROFUA) A5052 (ROCUA) (ROFCUA)	-	Shore A90
ROGS	-	ROCGS	-	SUS304	Urethane (Natural Color)	-
ROGA	ROFGA	ROCGA	-	Aluminum Alloy (ROGA) (ROFGA) A5052 (ROCGA)	-	Shore A70
ROHS	ROFHS	ROCHS	-	SUS304	-	-
ROHA	ROFHA	ROCHA	-	Aluminum Alloy (ROHA) (ROFHA) A5052 (ROCHA)	-	Shore A50
ROMS	-	-	-	SUS304	Antistatic Urethane (Gray)	Shore A90
ROMA	-	-	-	Aluminum Alloy	-	-
ROSS	ROFSS	ROCSS	-	SUS304	Silicon Rubber (Light Gray)	Shore A70
ROSA	-	-	-	A5052	-	Shore A50
ROJA	-	-	-	A5052	-	Shore A50
ROTS	-	-	-	SUS304	Heat Resistant Urethane (Red/Brown)	Shore A90
ROTA	-	-	-	Aluminum Alloy	-	Shore A90
RONA	-	-	-	A5052	NBR (Black)	Shore A60



Urethane, Silicon Rubber and NBR are baked on the roller's outer diameter.

- When $L \leq dx3$, hole d is machined from the same direction.
- When $L > dx3$, hole d is machined from both ends as shown below. There may be no relief in some cases.



L Selectable

Type	Part Number	D	dh7 Selection	L Selection						
				15	20	25	30	40	50	
Straight Core Only	Urethane	20	8	15	20	25	30	40	50	
	ROKS			15	20	25	30	40	50	
	ROKA			15	20	25	30	40	50	
	Heat Resistant Urethane	ROUS	30	8	15	20	25	30	40	50
		ROGA			15	20	25	30	40	50
		ROHS			20	25	30	40	50	
		ROHA			20	25	30	40	50	
	NBR	ROMA	40	10	20	25	30	40	50	
		ROSS			20	25	30	40	50	
		ROSA			20	25	30	40	50	
		ROJA			20	25	30	40	50	
Crowned Core Only	Urethane	50	12	25	30	40	50	100		
	ROCUS			25	30	40	50	100		
	ROCGS	60	12	30	40	50	100			
	ROFGA			30	40	50	100			
	ROFHS			30	40	50	100			
	ROFHA			30	40	50	100			
Silicon Rubber	ROCSS	80	15	40	50	100				
	ROCHA			40	50	100				

D60 and D80 are not available for ROSS, ROSA, ROJA, ROCSS and RONA.

L Configurable

Type	Part Number	D	dh7 Selection	L 1mm Increment				
				16~49	21~49	26~99	31~99	41~99
Straight Urethane	ROFUS	20	8	16~49				
				ROFUA				
				ROFGA				
				ROFHS				
				ROFHA				
Crowned Urethane	ROFCUA	50	12	26~99				
				ROFUA	26~99			
				ROFGA	26~99			
				ROFHS	26~99			
				ROFHA	26~99			
				ROFCUA	26~99			

Urethane may discolor over time, but there is no effect on physical properties.

D60 and D80 are not available for ROFSS. L dimensions that can be configured in L Selectable Type, cannot be selected.

Ordering Example: Part Number ROLB20 - d 8 - L 30

L Dimension Selectable - Straight

D	L	Unit Price																	
		Straight																	
		Core Only				Urethane				Antistatic Urethane		Silicon		Heat Resistant Urethane		NBR			
		ROLB	ROLM	ROLS	ROLA	ROKS	ROKA	ROUS	ROUA	ROGS	ROGA	ROMS	ROMA	ROSS	ROSA	ROJA	ROTS	ROTA	RONA
20	15~25																		
	30~50																		
25	15~25																		
	30~50																		
30	15~25																		
	30~50																		
35	20~25																		
	30~50																		
40	20~25																		
	30~50																		
50	25																		
	30~50																		
60	100																		
	30~50																		
80	100																		
	40~50																		
	100																		
	40~50																		

- Crowned

D	L	Unit Price						
		Crowned						
		Core Only		Urethane			Silicon	
		ROCS	ROCA	ROCUS	ROCUA	ROCGS	ROCGA	ROCSS
20	15~25							
	30~50							
25	15~25							
	30~50							
30	15~25							
	30~50							
35	20~25							
	30~50							
40	20~25							
	30~50							
50	25							
	30~50							
60	100							
	30~50							
80	100							
	40~50							
	100							
	40~50							

L Dimension Selectable - Straight, Crowned

D	L	Unit Price					
		Straight					
		Urethane			Silicon	Crowned Urethane	
		ROFUS	ROFUA	ROFHS	ROFGA	ROFSS	ROFCUA
20	16~25						
	26~49						
25	16~25						
	26~49						
30	16~25						
	26~49						
35	21~25						
	26~49						
40	21~25						
	26~49						
50	26~50						
	51~99						
60	31~50						
	51~99						
80	41~50						
	51~99						

Alterations Part Number ROUS20 - d 8 - L 30 - (MC, UDC) UDC

Alterations	Code	Spec.								
Tapping L/2 2-M M+1 2-M	MC	<p>Adds 2 tapped holes at 90°.</p> <table border="1"> <tr> <th>D</th> <th>M</th> </tr> <tr> <td>20, 25, 30</td> <td>3</td> </tr> <tr> <td>35, 40</td> <td>4</td> </tr> <tr> <td>50, 60, 80</td> <td>5</td> </tr> </table> <p>Ordering Code MC</p>	D	M	20, 25, 30	3	35, 40	4	50, 60, 80	5
D	M									
20, 25, 30	3									
35, 40	4									
50, 60, 80	5									

Alterations	Code	Spec.
Change to Antistatic Urethane (Urethane Color: Gray)	UDC	<p>Change Urethane (Shore A90) to Antistatic Urethane</p> <p>Ordering Code UDC</p> <p>Specific Volume Resistivity 2.1 x 10⁹Ω·cm</p> <p>Surface Resistivity 4.0x10⁹Ω</p> <p>(Temperature 30°C / Humidity 60%)</p>

For Core Only and Urethane (Natural Color) Tapped Type, refer to the next page.