

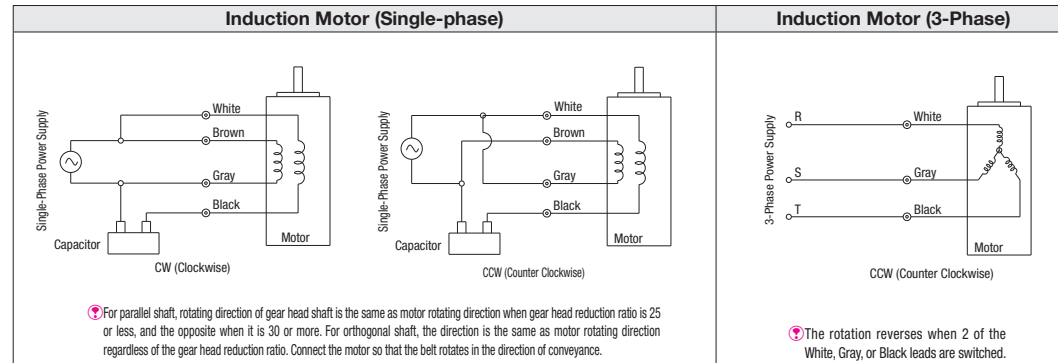
Motor Manufacturer A (Panasonic Motor) • Motor Type

	Induction Motor	Variable Speed Motor
Model		
Features	Motor suitable for continuous one-way operation.	Motor that the speed can be infinitely variable by combining with a Speed Controller
Voltage	Single-phase 100V, 200V 3-Phase 200V	Single-phase 100V, 200V
Continuous Operation	○	○
Instantaneous Reverse Operation	×	×
Variable Speed	×	○
Load Holding	×	×

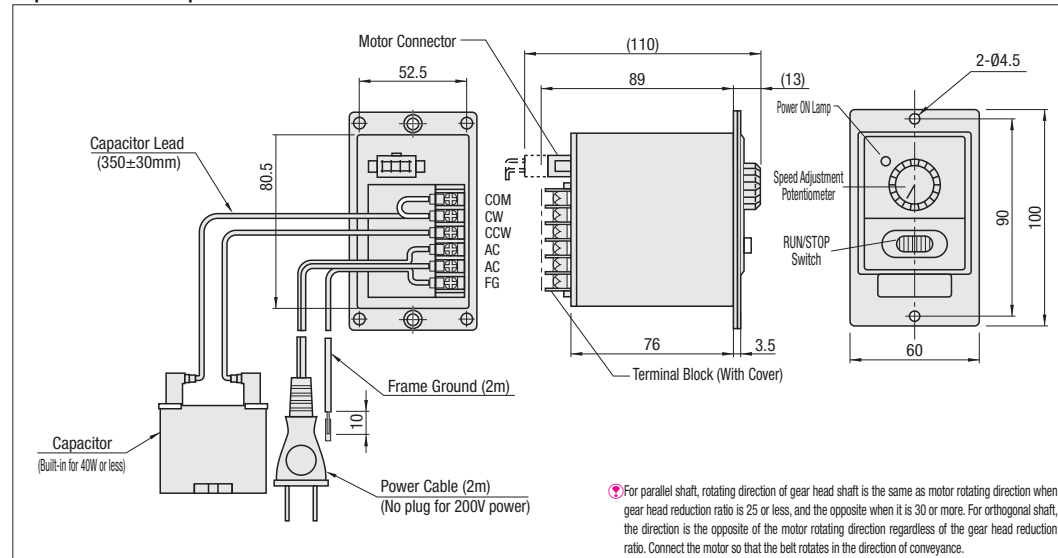
Output	6W,25W,40W,60W,90W
Rated Voltage	100V,200V
Voltage Range	±10% (In relation to Rated Voltage)*
Power Supply Frequency	50Hz/60Hz
Speed Control Range	90~1400min ⁻¹ (50Hz) 90~1700min ⁻¹ (60Hz)
Speed Fluctuation Ratio	5% (Std. Value)
Speed Setting	With a Potentiometer (Analog setting)
Operating Temperature	-10°C~40°C
Storage Temperature	-20°C~60°C
Operating Humidity	85%RH or less (No condensation)

*±10% is the voltage fluctuation range, and is not a continuously operable range.

• Motor Connection Diagram

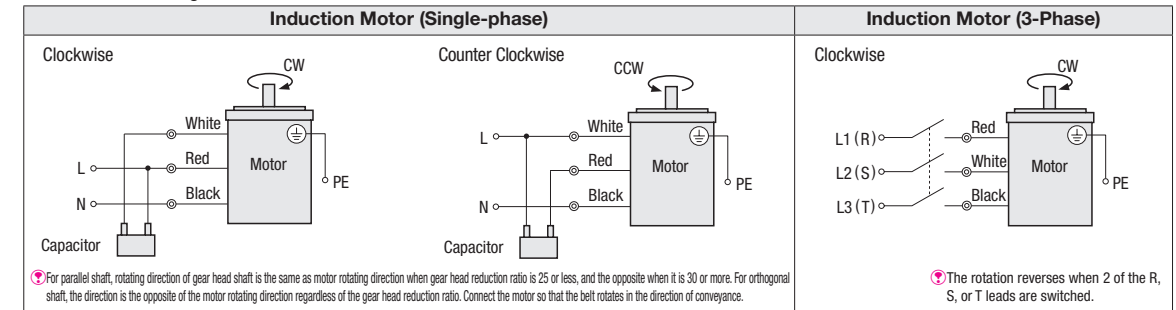


• Speed Controller Specification



ⓘ A connector cable (1m) is included.
 * For Panasonic Motor details, see P.1105.

Motor Manufacturer B (Oriental Motor) • Motor Connection Diagram



• Speed Controller Specification

