


Timing Pulleys

Width Configurable - MXL, XL, S2M, S3M, S5M

Bar-Shaped Timing Pulleys

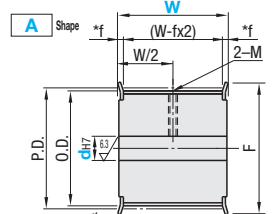
MXL, XL, S2M, S3M, S5M



RoHS 10

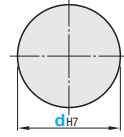
FTPAA MXL
XL
S2M
S3M
S5M

Pulley Shape

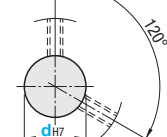


Shaft Bore Specs. Surface treatment may not be applied to shaft bores.

H Round Hole



P Round Hole + Tap



*No tapped holes or set screws. *The set screw holes are set at around 120° to keep away from peaks.

Type	Material	Surface Treatment	Accessory Set Screws
FTPAA	Aluminum Alloy	A5052	Clear Anodize
			SUS304

Tapped Hole Dimensions

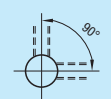


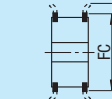

M (Coarse)	Accessory Set Screw	MXL (dr Shaft Bore I.D.)	XL (dr Shaft Bore I.D.)	S2M (dr Shaft Bore I.D.)	S3M (dr Shaft Bore I.D.)	S5M (dr Shaft Bore I.D.)
M 3	M 3x3	3-5	6-12	6-22	4-5	6-12
M 4	M 4x3	6-18	13-17	6-17	6-12	18-30
M 5	M 5x4	19-20	18-30	18-32	13-17	18-30
M 6	M 6x5	-	18-30	-	18-30	31-47
M 8	M 8x6	-	31-47	-	31-47	-


*MXL, S2M, S3M : f=2.0 t=1.0
XL, S5M : f=2.5 t=1.6

Part Number Type	Pulley Shape	W mm Increment	Shaft Bore Specs	Shaft Bore Dia. dH7 (mm increment)	P.D.	O.D.	F	Unit Price				P Hole					
								W15-25	W25-50	W51-75	W75-100						
14	MXL	A	H	15-100	3-4	9.06	8.55	12									
15					3-4	9.70	9.19										
16					3-5	10.35	9.84										
17					3-5	11.00	10.49										
18					3-5	11.64	11.14										
19					3-5	12.29	11.78										
20					4-6	12.94	12.43										
21					4-6	13.58	13.07										
22					4-6	14.23	13.72										
23					4-7	14.88	14.37										
24					4-7	15.52	15.02										
25					4-7	16.17	15.66										
26					4-8	16.82	16.31										
27					4-8	17.46	16.96										
28					4-8	18.11	17.60										
30					4-10	19.40	18.90										
32					4-10	20.70	20.19										
34					4-10	21.99	21.48										
36					5-12	23.29	22.78										
38					5-12	24.58	24.07										
40	5-12	25.87	25.36														
42	5-12	27.17	26.66														
44	5-13	28.46	27.95														
46	5-13	29.75	29.24														
48	5-15	31.05	30.54														
50	5-15	32.34	31.84														
60	5-20	38.81	38.30														
72	5-20	46.57	46.06														
16	XL	A	H	15-100	6-13	25.87	25.36	32									
18					6-15	29.11	28.60										
19					6-15	30.72	30.22										
20					8-16	32.34	31.83										
22					8-20	35.57	35.07										
24					8-22	38.81	38.30										
26					8-22	40.43	39.92										
28					8-23	42.04	41.53										
30					8-25	45.28	44.77										
32					10-30	48.51	48.00										
34					10-30	51.74	51.24										
36					10-38	58.21	57.70										
38					10-38	61.44	60.94										
40					10-47	64.68	64.17										
14					S2M	A	H	15-100	3-4	8.91	8.40	12					
15									3-4	9.55	9.04						
16									3-5	10.19	9.68						
18									3-5	11.46	10.95						
20									3-6	12.73	12.22						
22									3-6	14.01	13.50						
24	3-7	15.28	14.77														
25	3-7	15.92	15.41														
26	3-8	16.55	16.04														
28	3-8	17.83	17.32														
30	3-8	19.01	18.59														
32	4-10	20.37	19.86														
36	4-10	22.92	22.41														
40	4-12	25.46	24.96														
44	5-13	28.01	27.50														
48	5-15	30.56	30.05														
50	5-16	31.83	31.32														
60	5-22	38.20	37.69														
14	S3M	A	H	15-100					4-6	13.37	12.61	16					
15									4-6	14.32	13.56						
16					4-7	15.28	14.52										
18					4-8	17.19	16.43										
20					4-8	19.10	18.34										
22					4-10	21.01	20.25										
24					4-10	22.92	22.16										
25					4-11	23.87	23.11										
26					5-11	24.83	24.07										
28					5-13	26.74	25.98										
30					6-14	28.65	27.89										
32					6-16	30.56	29.80										
36					6-18	34.38	33.62										
40					8-23	38.20	37.44										
44					8-25	42.02	41.25										
48					8-25	45.84	45.07										
50					8-28	47.75	46.98										
60					8-32	57.30	56.53										
14					S5M	A	H	20-100	6-10	22.28	21.32	26					
16									7-12	25.46	24.50						
20	7-16	31.83	30.87														
24	7-20	38.20	37.24														
25	7-20	39.79	38.83														
30	10-26	47.75	46.79														
32	10-28	50.93	49.97														
36	10-30	57.30	56.34														
40	10-38	63.66	62.70														

Ordering Example: FTPA20S5M - A - W80 - P16

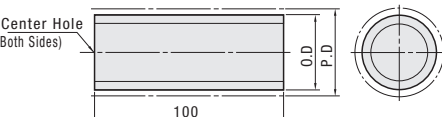
Alterations: FTPA20S5M - A - W80 - P16 - KC90 - NFC - RFC - FC - WMC

Alterations Code	Set Screw Angle	No Flange	Single Flange	Flange Cut	Tapped Hole
	KC90	NFC	RFC	FC	WMC
Spec.	 Changes an angle of set screw to 90°. The set screw hole is set at around 90° to keep away from peaks.	 Flange is not installed. (Flange Included)	 Flange installed by swaging only on one side at the time of shipment. (Flange 1 pc. Included)	 Lowers flange by cutting. FC: 0.5mm Increment FC=(O.D.)+1 FC=F-2 [Ordering Code] FC35 No surface treatment is applied on flange circumference.	 Adds a tapped hole. WMC=M+3 WA=M/2+3 WMC+WA=W-(M/2+3) [Ordering Code] WMC20-WA5 Applicable to the shaft bore specs. P 4 pieces of set screws are included When WA is not specified, WA=(W-WMC)/2.

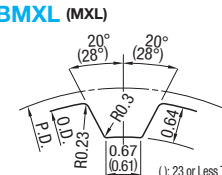


RoHS 10

Center Hole (Both Sides)

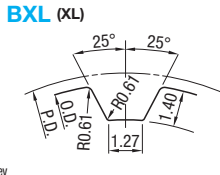


BMXL (MXL)

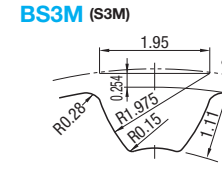


(): 23 or Less Toothed Pulley

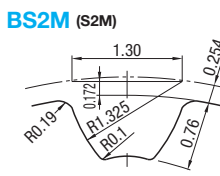
BXL (XL)



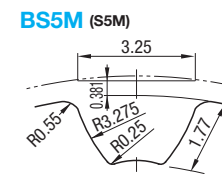
BS3M (S3M)



BS2M (S2M)



BS5M (S5M)



Tooth groove dimensions slightly vary according to the number of teeth. Material: Aluminum Alloy

Part Number Type	Number of Teeth	P.D.	O.D.	Unit Price
10	6.47	5.96		
11	7.11	6.61		
12	7.76	7.25		
13	8.41	7.90		
14	9.06	8.55		
15	9.70	9.19		
16	10.35	9.84		
17	11.00	10.49		
18	11.64	11.14		
19	12.29	11.78		
20	12.94	12.43		
21	13.58	13.07		
22	14.23	13.72		
23	14.88	14.37		
24	15.52	15.02		
25	16.17	15.66		
26	16.82	16.31		
27	17.46	16.96		
28	18.11	17.60		
30	19.40	18.90		
32	20.70	20.19		
34	21.99	21.48		
36	23.29	22.78		
38	24.58	24.07		
40	25.87	25.36		
42	27.17	26.66		
44	28.46	27.95		
46	29.75	29.24		
48	31.05	30.54		
50	32.34	31.83		
60	38.81	38.30		
72	46.57	46.06		

Ordering Example: BMXL20

Part Number Type	Number of Teeth	P.D.	O.D.	Unit Price
16	25.87	25.36		
18	29.11	28.60		
19	30.72	30.22		
20	32.34	31.83		
22	35.57	35.07		
24	38.81	38.30		
25	40.43	39.92		
26	42.04	41.53		
28	45.28	44.77		
30	48.51	48.00		
32	51.74	51.24		
36	58.21	57.70		
40	64.68	64.17		
14	8.91	8.40		
15	9.55	9.04		
16	10.19	9.68		
18	11.46	10.95		
20	12.73	12.22		
22	14.01	13.50		
24	15.28	14.77		
25	15.92	15.41		
26	16.55	16.04		
28	17.83	17.32		
30	19.10	18.59		
32	20.37	19.86		
36	22.92	22.41		
40	25.46	24.96		
44	28.01	27.50		
48	30.56	30.05		
50	31.83	31.32		
60	38.20	37.69		

Part Number Type	Number of Teeth	P.D.	O.D.	Unit Price
14	13.37	12.61		
15	14.32	13.56		
16	15.28	14.52		
18	17.19	16.43		
20	19.10	18.34		
22	21.01	20.25		
24	22.92	22.16		
25	23.87	23.11		
26	24.83	24.07		
28	26.74	25.98		
30	28.65	27.89		
32	30.56	29.80		
36	34.38	33.62		
40	38.20	37.44		
44	42.02	41.25		
48	45.84	45.07		
50	47.75	46.98		
60	57.30	56.53		
14	22.28	21.32		
16	25.46	24.50		
20	31.83	30.87		
24	38.20	37.24		
25	39.79	38.83		
30	47.75	46.79		
32	50.93	49.97		
36	57.30	56.34		
40	63.66	62.70		