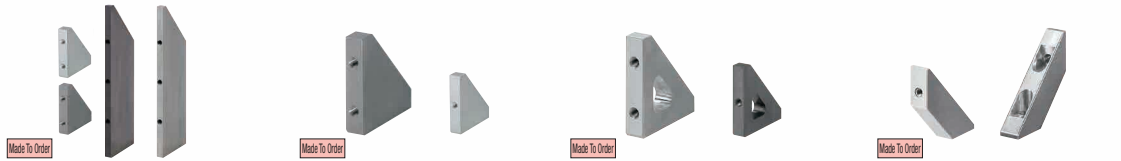


Gussets / Angle Plates / Welded Steel Stands

Gussets



Product Name	Precision Casting Economy Gussets - Through Holes, Hole Position Fixed	Gussets - Through/Counterbored Holes, Hole Position Fixed	Through Hole, Hole Position Configurable
Page	2194	2195	2196



Product Name	Gussets - Tapped, Hole Position Fixed	Tapped, Hole Position Configurable	Reduced Weight	Bridge Type
Page	2197	2198	2199	2200

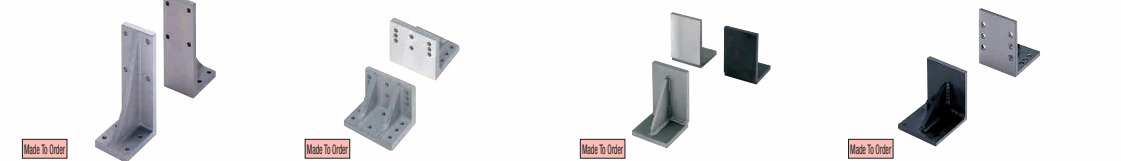
Angle Plates



Product Name	Angle Plates - Cast Iron, Dimension Selectable	Aluminum / Stainless Steel / Dimension Fixed	Mounting Hole Selectable, Hole Position Fixed
Page	2201	2202	2203



Product Name	Angle Plates - Mounting Surface Tapped, Mounting Hole Position Configurable	Hole Position Configurable	Side A (Base Surface) Machining Configurable
Page	2204	2205	2207



Product Name	Angle Plates - Opposite Angle Dowel Holes	Wide	Welded Angle Plates - Compact, No Hole	No Hole / Hole Position Configurable
Page	2208	2208	2209	2210

Welded Steel Stands

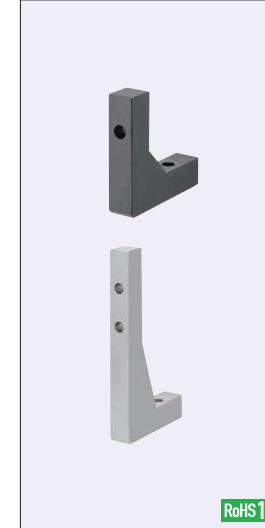


Product Name	Welded Steel Stands - Shaped Steel	Shaped Steel, Height Configurable	Plate
Page	2211	2212	2213

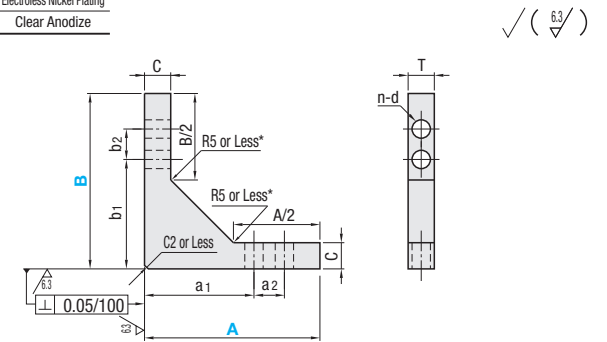
Precision Casting Economy Gussets

Through Holes, Hole Position Fixed

■ Features: Economical Type realizing average 47%, maximum 57% lower price than machined products, by using Precision Casting. This type is equal to the machined products in perpendicularity and accuracies.



Type	Material	Surface Treatment
RQDB	SS400	Black Oxide
RQDM	Equivalent	Electroless Nickel Plating
RQDW	AC4B	Clear Anodize



⚠ When A=30 or 50, side A has one mounting hole.
 ⚠ When B=30 or 50, side B has one mounting hole.
 * For some sizes, R is made small in order to prevent interference of bolt head.

Part Number	Type	A	B	T		n (Number of Holes)	d	a1	a2	b1	b2	C	Unit Price									
				SS400	AC4B								RQDB	RQDM	RQDW							
RQDB (Black Oxide)	30°	30*	30*	12	10	2	5.5	20	-	20	-	8										
			50*										35									
			80										50	15								
	50°	50*	12										10	3	35	-	50	15	12			
		80																		60	20	
		100																		60	20	
RQDM (Electroless Nickel Plating)	50°	100	100	12	4	6.5	50	15	50	15	20											
			80									60	20									
			100									60	20									
RQDW (Clear Anodize)	80	100	80	12	4	6.5	50	15	50	15	20											
			100									60	20									
			150									90	30									
RQDW (Clear Anodize)	100	150	150	12	4	6.5	60	20	90	30	25											
			150									90	30									

* When A=30 or 50, side A has one mounting hole, and when B= 30 or 50, side B has one mounting hole.

Ordering Example	Part Number	-	B
	RQDB30	-	80
	RQDW100	-	150

■ Difference between Precision Cast Gussets and Machined Gussets
 Although Precision Casting Gussets are inferior to Machined Gussets in luster, they are equal to Machined Gussets (Standard Grade) in perpendicularity.

Comparison Table of Tensile Strength

Representative Values of Mechanical Properties

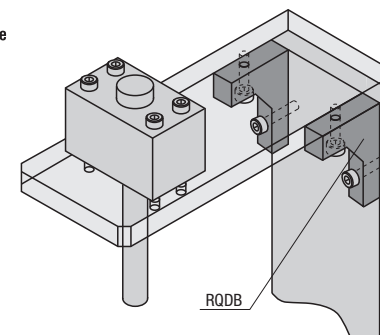
Tensile Strength (N/mm ²)	
SS400	SS400 Equivalent
400 or more	375~500

Representative Values of Mechanical Properties

Tensile Strength (N/mm ²)	
A5052	AC4B
260	170 or more

■ Material Properties of AC4B (Aluminum Alloy Casting)
 It is suitable for casting, and has high tensile strength and low rate of elongation. It is used for general and wide-range purpose.

ex Example



■ Precision Casting Economy Gussets are optimal for reinforcing where not visible or appearance is not important.