


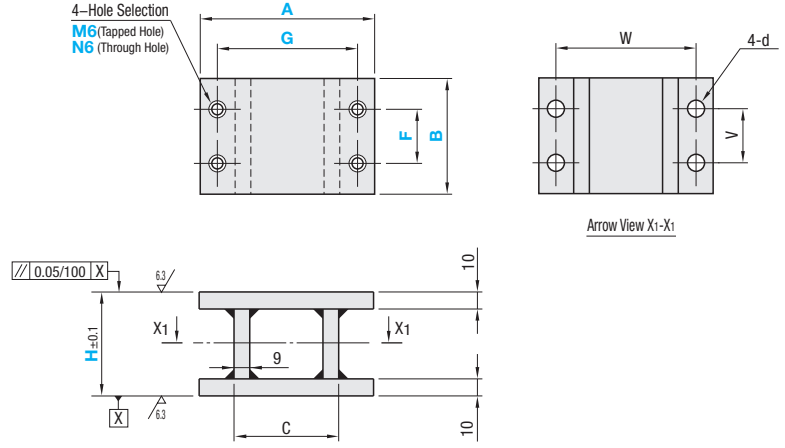
# Welded Steel Stands

## Plate Type

■ Features: Height and mounting hole pitch can be specified in 1mm increment.



Type	Material	Surface Treatment
YSSP	SS400	-
YSBP		Black Oxide
YSMP		Electroless Nickel Plating
YSFP	SUS304	-



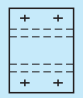
RoHS10 The SS400 products have shot blasted area in √.

Part Number Type	A	B	1mm Increment			Hole Type	C	V	W	d	
			H	F	G						
YSSP (No Surface Treatment)	100	50	50-200	15 ≤ F ≤ B-20	80	M6 (Tapped Hole) N6 (Ø6.5 Through Hole)	50	30	80	6.5	
		60						40			
		70						50			
		80						60			
		100						80			
	120	50			90-100		60	30	100		9
		60						40			
		70						50			
		80						60			
		100						80			
	150	50			105-130		75	30	130		11
		60						40			
70		50									
80		60									
100		80									
200	50	130-180	100	30	170	11					
	60			40							
	70			50							
	80			60							
	100			70							
	120			90							
	150			120							
200	170										

Ordering Example: Part Number - B - H - F - G - Hole Type  
 YSSP100 - B100 - H150 - F75 - G80 - M6  
 YSSP200 - B150 - H200 - F100 - G150 - N6

Part Number Type	A	B	Unit Price												
			YSSP			YSBP			YSMP			YSFP			
			H50-100	H101-150	H151-200	H50-100	H101-150	H151-200	H50-100	H101-150	H151-200	H50-100	H101-150	H151-200	
YSSP YSBP YSMP YSFP	100	50													
		60													
		70													
		80													
		100													
	120	50													
		60													
		70													
		80													
		100													
	150	50													
		60													
		70													
		80													
		100													
	200	50													
		60													
		70													
		80													
		100													

Alterations Part Number - B - H - (HNC)  
 YSBP200 - B150 - H200 - HNC

Alteration	Code	Spec.
	HNC	Eliminates the top installation holes (M6 or N6). (Bottom Installation Holes are retained.) Ordering Code HNC Specifying of dimensions F and G and hole types are not necessary.

