


Shaft Supports Flanged Mount


Compact Standard / Compact Long Sleeve / With Keyway

■Features: O.D. (H Dimension) is smaller than the previous type. Space saving design.

■ Compact Standard

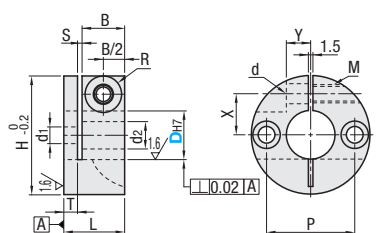


■ Compact Long Sleeve

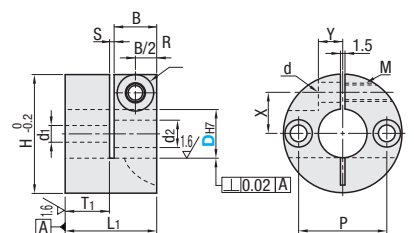


Type	Material	Surface Treatment	Accessory
Standard	S45C	Black Oxide	Hex Socket Head Cap Screw 1 pc.
Long Sleeve	Equivalent	Electroless Nickel Plating	Hex Socket Head Cap Screw 1 pc. (SUS)
STHMRB	S45C	Black Oxide	Hex Socket Head Cap Screw 1 pc.
STHMRBL	Equivalent	Electroless Nickel Plating	Hex Socket Head Cap Screw 1 pc. (SUS)
STHMR	S45C	Black Oxide	Hex Socket Head Cap Screw 1 pc.
STHMRL	Equivalent	Electroless Nickel Plating	Hex Socket Head Cap Screw 1 pc. (SUS)
SSTHMR	SUS304	-	-
SSTHMRL	SUS304	-	-

■ Compact Standard Type



■ Compact Long Sleeve Type



Part Number	Type	DH7	L	L1	H	B	T	T1	P	d1	d2	S	X	Y	M	d	R	Unit Price																
																		Round Flanged	Compact Flanged	Material	Surface Treatment													
Compact Standard	STHMRB	8	16	-	30	11	3.5	-	20	4.5	8	1.5	9.5	5	5	5.5	9	STHMRB	STHMRBL	STHMR	STHMRL													
	STHMR	10	-	34	12.5													22	10	12	12	12	12	12	12	12	12	12	12	12	12	12		
	SSTHMR	12	17	25	36													15.5	25	13	13	13	13	13	13	13	13	13	13	13	13	13		
	STHMRBL	15	-	38	-													14	28	16	16	16	16	16	16	16	16	16	16	16	16	16		
	STHMRL	16	22	30	39													18	35	18	18	18	18	18	18	18	18	18	18	18	18	18		
Compact Long Sleeve (D12~30)	STHMRBL	20	24	38	54	14	6	22	40	6.6	11	2	13.5	7	6	6.6	12	STHMRBL	STHMRL	SSTHMR	SSTHMRL													
	STHMRL	25																18	11	11	11	11	11	11	11	11	11	11	11	11	11	11	11	
	SSTHMR	25																18	11	11	11	11	11	11	11	11	11	11	11	11	11	11	11	11
	SSTHMRL	30																24	40	59	8	24	45	22	22	22	22	22	22	22	22	22	22	22

Ordering Example
Part Number
STHMRB16
STHMR20
SSTHMRL20


■ O.D. Comparison Table

D	Unit Price					
	Compact Standard			Compact Long Sleeve		
8	STHMRB	STHMR	SSTHMR	STHMRBL	STHMRL	SSTHMRL
10						
12						
15						
16						
20						
25						
30						

D (I.D.)	O.D. (H)		
	Compact Ex.) STHMR, STHMRL	Flanged Mount with Slit Type P237 Ex.) STHWR, STHWRL	Difference
8	30	39	-9
10	34	49	-15
12	36	52	-16
15	38	56	-18
16	39	56	-17
20	49	64	-15
25	54	69	-15
30	59	79	-20

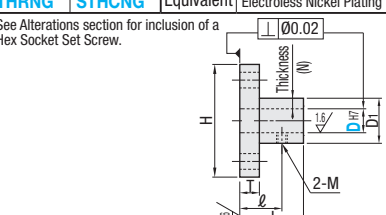
■Features: Effective in preventing the shaft from rotating.

■ With Keyway

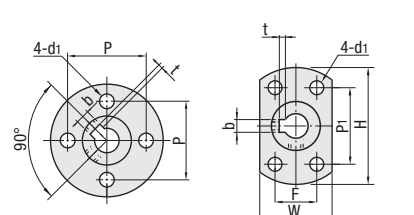


Type	Material	Surface Treatment	Accessory
Round Flanged	S45C	Black Oxide	Hex Socket Head Cap Screw 2 pcs.
Compact Flanged	Equivalent	Electroless Nickel Plating	Hex Socket Head Cap Screw 2 pcs. (SUS)
STHRBNG	S45C	Black Oxide	Hex Socket Head Cap Screw 2 pcs.
STHCBNG	Equivalent	Electroless Nickel Plating	Hex Socket Head Cap Screw 2 pcs. (SUS)
STHRNG	S45C	Black Oxide	Hex Socket Head Cap Screw 2 pcs.
STHCNG	Equivalent	Electroless Nickel Plating	Hex Socket Head Cap Screw 2 pcs. (SUS)
SSTHRP	SUS304	-	-
SSTHPC	SUS304	-	-

■ Round Flanged



■ Compact Flanged



Part Number	Type	DH7	Sleeve Thickness (N)	L	D1	H	T	B	P	W	P1	F	d1	b	t	Unit Price						
																Round Flanged	Compact Flanged	Material	Surface Treatment			
Round Flanged	STHRBNG	12	+0.018	5	24	22	40	6	15	M4	32	25	28	16	4.5	4	1.8	+0.1	STHRBNG	STHRNG	STHCBNG	STHCNG
	STHCBNG	16	0	6	32	28	50	6	19	M4	40	32	33	22	5.5	5	2.3	0	STHRBNG	STHRNG	STHCBNG	STHCNG
	STHRNG	20	+0.021	7.5	32	35	63	8	20	M5	50	40	42	25	6	6	2.8	0	STHRBNG	STHRNG	STHCBNG	STHCNG
	STHCNG	25	0	7.5	38	40	68	8	23	M5	55	45	45	30	6.6	8	3.3	0	STHRBNG	STHRNG	STHCBNG	STHCNG
	SSTHRP	30	0	7.5	45	73	10	24	M6	60	50	48	35	8	8	3.3	0	0	STHRBNG	STHRNG	STHCBNG	STHCNG

Ordering Example
Part Number
STHRNG25

Alterations
Part Number (MB)
STHRNG25 - MB
STHCNG30 - MB


For the details of Hex Socket Set Screw inclusion (MB), refer to Alterations on P234.

Shaft Supports Flanged Mount

Back Mount / Split

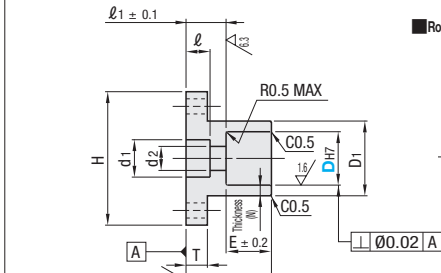
■Features: Shafts can be fastened securely using tapped holes on shaft ends.

■ Back Mount

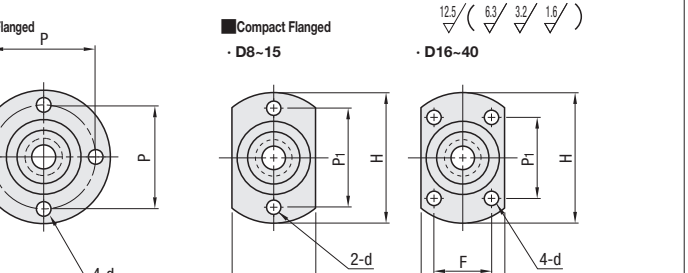


Type	Material	Surface Treatment	Accessory
Round Flanged	S45C	Black Oxide	Hex Socket Head Cap Screw 2 pcs.
Compact Flanged	Equivalent	Electroless Nickel Plating	Hex Socket Head Cap Screw 2 pcs. (SUS)
STHXR	S45C	Black Oxide	Hex Socket Head Cap Screw 2 pcs.
STHXC	Equivalent	Electroless Nickel Plating	Hex Socket Head Cap Screw 2 pcs. (SUS)
SSTHXR	SUS304	-	-
SSTHXC	SUS304	-	-

■ Round Flanged



■ Compact Flanged




Part Number	Type	DH7	Sleeve Thickness (N)	L	D1	H	T	B	P	W	P1	F	d	d1	d2	M	Unit Price					
																	Round Flanged	Compact Flanged	Material	Surface Treatment		
Round Flanged	STHXR	8	+0.015	2	16	12	28	5	4.5	8	8	20	16	20	3.5	8	4.5	M4	STHXR	STHXC	SSTHXR	SSTHXC
	STHXR	10	0	2	20	14	30	5	5.5	10	10	22	18	22	3.5	9.5	5.5	M5	STHXR	STHXC	SSTHXR	SSTHXC
	STHXR	12	+0.018	0	24	16	36	6	6.5	11	13	26	20	26	4.5	11	6.6	M6	STHXR	STHXC	SSTHXR	SSTHXC
	STHXR	15	0	3	30	20	40	6	9	15	15	30	24	30	4.5	14	9	M8	STHXR	STHXC	SSTHXR	SSTHXC
	STHXR	16	+0.021	0	32	22	42	8	11	18	16	32	26	28	5.5	18	11	M10	STHXR	STHXC	SSTHXR	SSTHXC
	STHXR	20	0	4	38	28	50	8	13	21	25	44	37	36	6.6	20	13	M12	STHXR	STHXC	SSTHXR	SSTHXC
	STHXR	25	+0.021	0	46	33	55	8	18	28	30	52	42	41	6.6	26	17	M16	STHXR	STHXC	SSTHXR	SSTHXC
	STHXR	30	0	7	58	38	66	10	28	30	30	52	42	41	6.6	26	17	M16	STHXR	STHXC	SSTHXR	SSTHXC
	STHXR	40	+0.025	0	70	54	88	10	30	40	72	62	62	38	9	26	17	M16	STHXR	STHXC	SSTHXR	SSTHXC

Ordering Example
Part Number
STHXR10

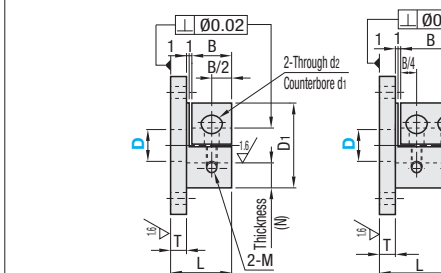
■Features: Removable split sleeve makes maintenance easy.

■ Split

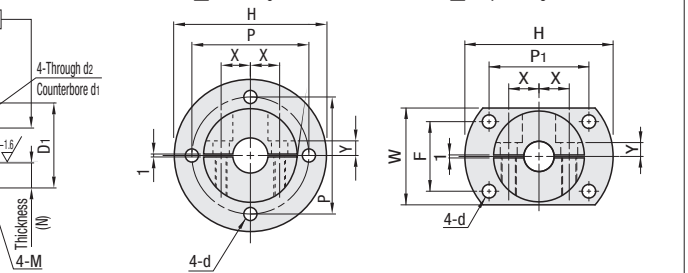


Type	Material	Surface Treatment	Accessory
Round Flanged	General Structural Steel	Black Oxide	Hex Socket Head Cap Screw 2 pcs.
Compact Flanged	Equivalent	Electroless Nickel Plating	Hex Socket Head Cap Screw 2 pcs. (SUS)
STHPR	General Structural Steel	Black Oxide	Hex Socket Head Cap Screw 2 pcs.
STHPC	Equivalent	Electroless Nickel Plating	Hex Socket Head Cap Screw 2 pcs. (SUS)
SSTHPR	SUS304	-	-
SSTHPC	SUS304	-	-

■ Round Flanged



■ Compact Flanged



Part Number	Type	D	Sleeve Thickness (N)	L	D1	H	T	B	P	W	P1	F	d	X	Y	d1	d2	M (Coarse)	Included Screws M x Length	Unit Price				
																				Round Flanged	Compact Flanged	Material	Surface Treatment	
Round Flanged	STHPR	8	+0.015	8.5	19	25	39	5	12	32	27	25	20	3.5	7.5	3.5	7.5	4.6	M4	M4x10	STHPR	STHPC	SSTHPR	SSTHPC
	STHPR	10	0	10	21	30	49	5	14	40	32	33	23	4.5	10	3	9	5.6	M5	M5x10	STHPR	STHPC	SSTHPR	SSTHPC
	STHPR	12	+0.018	0	23	32	52	6	15	42	34	35	25	5.5	11	4	9	5.6	M5	M5x12	STHPR	STHPC	SSTHPR	SSTHPC
	STHPR	16	0	9.5	32	35	56	6	24	46	37	37	27	5.5	12	5	9	5.6	M5	M5x16	STHPR	STHPC	SSTHPR	SSTHPC
	STHPR	20	+0.021	0	34	40	64	8	24	52	42	43	30	6.6	14	6	10	6.6	M6	M6x20	STHPR	STHPC	SSTHPR	SSTHPC

Ordering Example
Part Number
STHPR10