

Stainless Steel Deep Groove Ball Bearings

Double Shielded


Note that, for some of the types shown here, order might be unable to be received by the MISUMI Indonesia offices.

C-VALUE [Medium Accuracy] Stainless Steel Deep Groove Ball Bearings

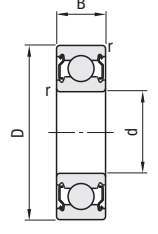
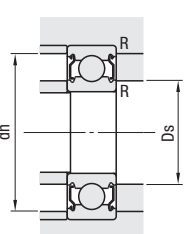
Double Shielded

Similar Products Page P.995

This product can be used even when heavy load, high rotation speed, and high rotational accuracy are required. See P.996 for the C-VALUE Product description of this item.



SB6□□□ZZ

(Installation Diagram)

Material: SUS440C Equivalent
Bearing Accuracy JIS B 1514 Class 0


RoHS 10

For details on the tolerance and allowable values of inner and outer rings, see P.2243

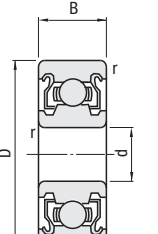
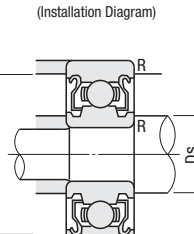
Part Number	d	D	B	r (min)	Basic Load Rating		Allowable Rotational Speed (Reference)	Relative Dimensions				Mass (g) (Reference)	Unit Price
					Cr (Dynamic) kN	Cor (Static) kN		Ds		dh	R		
SB6700ZZ	10	15	4	0.2	0.68	0.34	15000	10.4	11.21	14.2	0.2	2	
SB6800ZZ	10	19	5	0.3	1.46	0.67	34000		12.5	17	0.3	5	
SB6900ZZ	10	22	6	0.3	2.29	1.02	32000	12	13	20	0.3	9	
SB6000ZZ	10	26	8	0.6	3.87	1.58	30000		13.5	24	0.6	19	
SB6200ZZ	10	30	9	0.6	4.35	1.91	24000	14	16	26	0.6	32	
SB6300ZZ	10	35	11	0.6	6.87	2.75	21000		16.5	31	0.6	52	
SB6701ZZ	12	18	4	0.2	0.73	0.42	13000	12.4	13.86	16.7	0.2	3	
SB6801ZZ	12	21	5	0.3	1.63	0.83	32000		14.5	19	0.3	6	
SB6901ZZ	12	24	6	0.3	2.45	1.18	30000	14	15	22	0.3	11	
SB6001ZZ	12	28	8	0.6	4.35	1.91	27000		16	26	0.6	21	
SB6201ZZ	12	32	10	0.6	5.78	2.44	22000	16	17	28	0.6	37	
SB6301ZZ	12	37	12	1	8.24	3.36	19000	17	18	32	1.0	60	
SB6702ZZ	15	21	4	0.2	0.74	0.46	11000	15.4	16.86	19.7	0.2	4	
SB6802ZZ	15	24	5	0.3	1.76	1.00	27000		17.5	22	0.3	7	
SB6902ZZ	15	28	7	0.3	3.67	1.81	26000	17	19	26	0.3	16	
SB6002ZZ	15	32	9	0.6	4.76	2.27	23000		19	30	0.6	30	
SB6202ZZ	15	35	11	0.6	6.50	2.96	19000	19	20	31	0.6	45	
SB6302ZZ	15	42	13	1	9.71	4.37	17000	20	22.5	37	1.0	83	
SB6703ZZ	17	23	4	0.2	0.85	0.52	9500	17.4	18.86	21.1	0.2	4	
SB6803ZZ	17	26	5	0.3	1.90	1.16	25000		19.5	24	0.3	8	
SB6903ZZ	17	30	7	0.3	3.90	2.05	23000	19	20	28	0.3	18	
SB6003ZZ	17	35	10	0.6	5.09	2.63	20000		21	33	0.6	39	
SB6203ZZ	17	40	12	0.6	8.13	3.85	17000	21	23	36	0.6	66	
SB6303ZZ	17	47	14	1	11.5	5.33	15000	22	25.5	42	1.0	113	
SB6704ZZ	20	27	4	0.2	1.12	0.57	8500	20.4	22.36	25.5	0.2	6	
SB6804ZZ	20	32	7	0.3	3.41	1.97	20000	22	22.5	30	0.3	19	
SB6904ZZ	20	37	9	0.3	5.42	2.95	19000		24	35	0.3	36	
SB6004ZZ	20	42	12	0.6	7.99	4.00	17000	24	26	38	0.6	69	
SB6204ZZ	20	47	14	1.0	10.88	5.28	14000	25		42	1.0	106	
SB6304ZZ	20	52	15	1.1	13.49	6.31	13000	26.5		45.5	1.0	145	
SB6805ZZ	25	37	7	0.3	3.66	2.35	18000		34	35	0.3	22	
SB6905ZZ	25	42	9	0.3	5.60	3.63	16000	27	29	40	0.3	42	
SB6005ZZ	25	47	12	0.6	8.59	4.68	15000	29	30.5	43	0.6	80	
SB6205ZZ	25	52	15	1.0	11.90	6.32	12000	30	32	47	1.0	128	
SB6305ZZ	25	62	17	1.1	17.49	9.06	11000	31.5	36	55.5	1.0	235	
SB6806ZZ	30	42	7	0.3	3.86	2.72	15000		33	40	0.3	26	
SB6906ZZ	30	47	9	0.3	6.15	4.01	14000	32	34	45	0.3	48	
SB6006ZZ	30	55	13	1.0	11.20	6.64	12000	35	37	50	1.0	116	
SB6206ZZ	30	62	16	1.1	16.60	9.04	10000		39	57	1.0	199	
SB6306ZZ	30	72	19	1.1	22.63	12.08	9200	36.5	42.5	65.5	1.0	345	
SB6807ZZ	35	47	7	0.3	4.02	3.06	13000	37	38	45	0.3	29	
SB6907ZZ	35	55	10	0.6	9.27	6.25	12000	39	40	51	0.6	74	
SB6007ZZ	35	62	14	1.0	13.56	8.25	11000	40	42	57	1.0	155	
SB6207ZZ	35	72	17	1.1	21.81	12.36	9000	41.5	45	65.5	1.0	288	
SB6808ZZ	40	52	7	0.3	4.18	3.34	12000	42	43	50	0.3	33	
SB6908ZZ	40	62	12	0.6	11.63	7.97	11000	44	45	58	0.6	110	
SB6008ZZ	40	68	15	1.0	14.25	9.22	9500	45	47	63	1.0	190	
SB6208ZZ	40	80	18	1.1	24.73	14.33	8200	46.5	51	73.5	1.0	366	
SB6809ZZ	45	58	7	0.3	5.20	4.30	11000	47	47.5	56	0.3	38	
SB6909ZZ	45	68	12	0.6	11.98	8.66	9500	49	50	64	0.6	126	
SB6009ZZ	45	75	16	1	15.15	9.6	8800	50	53.5	70	1.0	241	
SB6209ZZ	45	85	19	1.1	27.79	16.3	7500	51.5	55.5	78.5	1.0	420	
SB6810ZZ	50	65	7	0.3	5.61	4.80	9500	52	52.5	63	0.3	50	
SB6910ZZ	50	72	12	0.6	12.35	9.35	9000	54	55	68	0.6	135	
SB6010ZZ	50	80	16	1.0	18.50	14.10	8300	55.0	57.5	75.0	1.0	261	
SB6210ZZ	50	90	20	1.1	29.80	19.70	7000	56.5	60.0	83.5	1.0	454	

kgf=Nx0.101972

Similar Products Comparison Points | Products designed for light load, intermediate and low rotation speed, and medium rotational accuracy applications. See P.987 for the description of C-VALUE Products.



C-SB6□□□ZZ

(Installation Diagram)

Material: SUS440C Equivalent
Bearing Accuracy JIS B 1514 Class 0

RoHS 10

For details on the tolerance and allowable values of inner and outer rings, see P.2243

Part Number	d	D	B	r (min)	C-VALUE Products Check Point ① Basic Load Rating		Allowable Rotational Speed (Reference)	Relative Dimensions				Mass (g) (Reference)	Unit Price
					Cr (Dynamic) kN	Cor (Static) kN		Ds		dh	R		
C-SB6700ZZ	10	15	4	0.2	0.48	0.24	15000	10.4	11.21	14.2	0.2	2	
C-SB6800ZZ	10	19	5	0.3	1.02	0.47	34000		12.5	17	0.3	5	
C-SB6900ZZ	10	22	6	0.3	1.6	0.71	32000	12	13	20	0.3	9	
C-SB6000ZZ	10	26	8	0.6	2.71	1.11	30000		13.5	24	0.6	19	
C-SB6200ZZ	10	30	9	0.6	3.05	1.34	24000	14	16	26	0.6	32	
C-SB6300ZZ	10	35	11	0.6	4.81	1.93	21000		16.5	31	0.6	52	
C-SB6701ZZ	12	18	4	0.2	0.51	0.29	13000	12.4	13.86	16.7	0.2	3	
C-SB6801ZZ	12	21	5	0.3	1.14	0.58	32000		14.5	19	0.3	6	
C-SB6901ZZ	12	24	6	0.3	1.72	0.83	30000	14	15	22	0.3	11	
C-SB6001ZZ	12	28	8	0.6	3.05	1.34	27000		16	26	0.6	21	
C-SB6201ZZ	12	32	10	0.6	4.05	1.71	22000	16	17	28	0.6	37	
C-SB6301ZZ	12	37	12	1	5.77	2.35	19000	17	18	32	1	60	
C-SB6702ZZ	15	21	4	0.2	0.52	0.32	11000	15.4	16.86	19.7	0.2	4	
C-SB6802ZZ	15	24	5	0.3	1.23	0.7	27000		17.5	22	0.3	7	
C-SB6902ZZ	15	28	7	0.3	2.57	1.27	26000	17	19	26	0.3	16	
C-SB6002ZZ	15	32	9	0.6	3.33	1.59	23000		19	30	0.6	30	
C-SB6202ZZ	15	35	11	0.6	4.55	2.07	19000	19	20	31	0.6	45	
C-SB6302ZZ	15	42	13	1	6.8	3.06	17000	20	22.5	37	1	83	
C-SB6703ZZ	17	23	4	0.2	0.56	0.36	9500	17.4	18.86	21.1	0.2	4	
C-SB6803ZZ	17	26	5	0.3	1.33	0.81	25000		19.5	24	0.3	8	
C-SB6903ZZ	17	30	7	0.3	2.73	1.44	23000	19	20	28	0.3	18	
C-SB6003ZZ	17	35	10	0.6	3.56	1.84	20000		21	33	0.6	39	
C-SB6203ZZ	17	40	12	0.6	5.69	2.7	17000	21	23	36	0.6	66	
C-SB6303ZZ	17	47	14	1	8.05	3.73	15000	22	25.5	42	1	113	
C-SB6704ZZ	20	27	4	0.2	0.78	0.4	8500	20.4	22.36	25.5	0.2	6	
C-SB6804ZZ	20	32	7	0.3	2.39	1.38	20000		22.5	30	0.3	19	
C-SB6904ZZ	20	37	9	0.3	3.79	2.07	19000	22	24	35	0.3	36	
C-SB6004ZZ	20	42	12	0.6	5.59	2.8	17000	24	26	38	0.6	69	
C-SB6204ZZ	20	47	14	1	7.62	3.7	14000	25	28	42	1	106	
C-SB6304ZZ	20	52	15	1.1	9.44	4.42	13000	26.5	28	45.5	1	145	
C-SB6805ZZ	25	37	7	0.3	2.56	1.65	18000		28	35	0.3	22	
C-SB6905ZZ	25	42	9	0.3	3.92	2.54	16000	27	29	40	0.3	42	
C-SB6005ZZ	25	47	12	0.6	6.01	3.28	15000	29	30.5	43	0.6	80	
C-SB6205ZZ	25	52	15	1	8.33	4.42	12000	30	32	47	1	128	
C-SB6305ZZ	25	62	17	1.1	8.33	4.42	11000	31.5	36	55.5	1	235	
C-SB6906ZZ	30	47	9	0.3	12.24	6.34	14000	32	34	45	0.3	48	
C-SB6206ZZ	30	62	16	1	11.62	6.33	10000	35	39	57	1	199	

C-VALUE Products Check Point ②

I.D. d (mm)	Clearance of MISUMI Similar Products (μm)	Clearance of C-VALUE Products (μm)	
		Min.	Max.
over 10 only	Min. 2	Max. 13	4
10	3	18	6</