

Vacuum Fittings

Suction Cups

Vacuum Fittings

Type	Material			Surface Treatment	
	Main Body	Spring	Nut	Main Body	Nut
SRK	A2011B	SWP-A	SS400	Clear Anodize	Nickel Plating
SRKN					
SRKNS					

SRK10 1010 1015 SRK20 2010 2015 SRKN10 1010 1015 SRKN20 2010 2015 SRKNS40 50

Dimensions in () are for SRKNS50.

Part Number	Type	No.	Stroke S	L	L1	Spring		Applicable Pad	Unit Price	Volume Discount Rate
						Spring Constant	Max. Load			
SRK	10	5	40	19	0.030kgf	0.55kgf	SRP6~12 SRPF12	1 ~ 49 pc(s).	50~100	
	1010	10	45	24	0.025kgf					
	1015	15	50	29	0.020kgf					
	20	5	48	20	0.037kgf					
	2010	10	53	25	0.032kgf					
	2015	15	58	30	0.027kgf					

Part Number	Type	No.	Stroke S	L	L1	Spring		Applicable Pad	Unit Price	Volume Discount Rate
						Spring Constant	Max. Load			
SRKN	10	5	35	22	0.030kgf	0.55kgf	SRP6~12 SRPF12	1 ~ 49 pc(s).	50~100	
	1010	10	45	27	0.025kgf					
	1015	15	55	32	0.020kgf					
	20	5	39	22	0.037kgf					
	2010	10	49	27	0.032kgf					
	2015	15	59	32	0.027kgf					

Part Number	Type	No.	Applicable Pad	Unit Price	Volume Discount Rate
SRKNS	40	SRPS40		1 ~ 49 pc(s).	50~100
	50	SRPS50			

Ordering Example
Part Number
SRK10

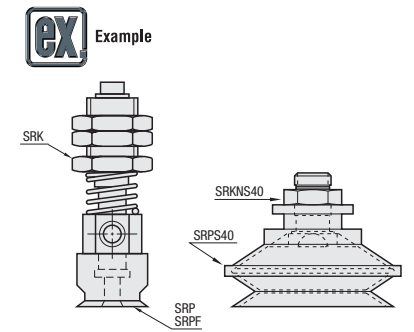
Suction Cups

Type	Material	Color	Hardness
SRP SRPF	Silicon Rubber	Sky Blue	Shore A40
SRPS		Translucent	Shore A50

Dimensions in () are for SRPS50.

Part Number	Type	No.	Applicable Vacuum Fitting	Mounting	Unit Price	Volume Discount Rate
SRP	6	SRK10	SRK10□□	Recessed Type	1 ~ 49 pc(s).	50~100
	9	SRKN10	SRKN10□□			
	12	SRKN10	SRKN10□□			
	15	SRK20	SRK20□□			
	20	SRKN20	SRKN20□□			
	30	SRKN20	SRKN20□□			
SRPF	12	SRK10	SRK10□□	Recessed Type	1 ~ 49 pc(s).	50~100
	20	SRK20	SRK20□□			
SRPS	40	SRKNS40		Recessed Type	1 ~ 49 pc(s).	50~100
	50	SRKNS50				

Not usable in combination with vacuum fittings on P.1445, P.1447, P.1449, P.1451.



Ordering Example
Part Number
SRP30