

# Floating Joints - Overview

# Floating Joints - Quick Connection Type

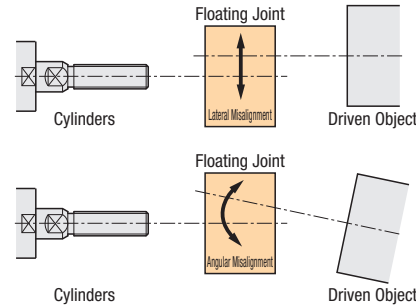
[Tapped] Cylinder Connector and Holder Set Sheet Metal Holder Set

## Features of Floating Joints

This Product connects cylinder and operated object and absorbs misalignment (= Lateral Misalignment) or Angular Misalignment (= Out of Parallelism Tolerance).

## Advantages of Floating Joints

- It is not necessary for the cylinder shaft to match the connecting body with high precision.
- Thrust does not lower even if the precision of the shaft fit is rough.
- Prevents breakage of cylinder gaskets and prolong the life of operated objects.



## Types of Floating Joints

Quick Connection Type: The connector latches in the groove of the holder and the connecting unit, enabling simple connection simply by passing through the hole of the connecting unit.

Cylinder Rod Tip Shape	Connector	Connector and Holder Set	Holder
Threaded	[Tapped Type] Fixed P.1527 Separate P.1529 Configurable P.1528	Connector and Holder Set P.1526	Mounting Image Flange Type P.1533 Compact Type P.1536
	[Threaded Type] Fixed P.1530 Separate Type P.1532 Configurable P.1531 Bolt Mount Type P.1532	Connector and Holder Set P.1530	Mounting Image Bar Type P.1535 Top Mount Type P.1534

Flange Type: Connect can be retained by a flange. Use Backing Plates (Cover plates) to avoid breakage of operated objects by impact caused by connectors.

Cylinder Rod Tip Shape	Connector, Mount Flange Sets	Backing Plates	Connected images of the cylinder and driven part
Threaded	[Tapped Type] Standard P.1539 Separate P.1539 Wrench Flats P.1539	Round, Wrench Flats P.1544	Cylinders, Connector, Mount Flange Sets, Backing Plate, Driven Part
Tapped	[Threaded Type] Standard P.1541 Separate P.1541 Wrench Flats P.1541	Round, Wrench Flats P.1544	Cylinders, Connector, Mount Flange Sets, Backing Plate, Driven Part

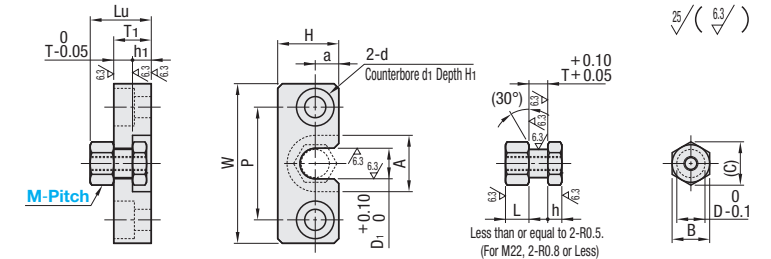
One-Piece Type: This product absorbs lateral, angular misalignment. Extra Short Type is compact in size and space-saving.

Joining Method	Floating Joints Integrated Type		Connected images of the cylinder and driven part		
	Threaded for Cylinder	Tapped for Cylinder	Cylinders	Connector	Driven Part
Side Mounting	Extra Short Threaded Stud Mount (for Threaded Cylinder) P.1549 Miniature P.1547 Screw-In P.1547	Extra Short Threaded Stud Mount (for Tapped Cylinder) P.1549			
Foot Mount	Extra Short Foot Mount (for Threaded Cylinder) P.1550 Bracket Mounting P.1548	Extra Short Foot Mount (for Tapped Cylinder) P.1550			
Flange Mounting	Extra Short Tapped Round P.1551 Extra Short Tapped Compact P.1551 Flange Mounting P.1547	Extra Short Threaded Round P.1551 Extra Short Threaded Compact P.1551			

Features: Purchasing a set of Connector (FJR) and Holder (HLRA) for Floating Joints Quick Connection Type is better value than purchasing stand-alone products.

## Cylinder Connector and Holder Set

Type	Holder Type	Material	Surface Treatment	Hardness
FJRHA	HLRA	S45C Equivalent	Salt-bath Nitriding	500HV~

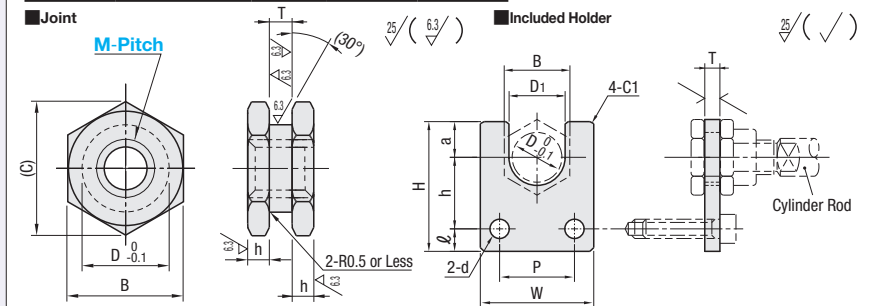


Part Number	Type	Cylinder Connector							Holder										Unit Price	
		M-Pitch	T	D	L	h	B	C	D1	A	T1	h1	W	H	a	P	d	d1		H1
FJRHA	3-0.5	4	6	5	3	8	9.2	6.5	12	8	4	34	13	5	24	4.5	8	4.4	13	
	4-0.7	4	7	6	3	10	11.5	8	14	8	4	36	15	6	26	4.5	8	4.4	14	
	5-0.8	6	8	7	3	12	13.9	9	17	10	4	42	18	7	30	5.5	9.5	5.4	17	
	6-1.0	6	10	8	4	14	16.2	11	19	11	5	44	20	8	32	5.5	9.5	5.4	19	
	8-1.25	8	13	9	4	17	19.6	14	23	13	5	52	24	10	38	6.6	11	6.5	22	
	10-1.25	8	16	11	4	21	24.2	18	28	13	5	56	30	12	42	6.6	11	6.5	24	
	14-1.5	12	21	13	4	26	30	23	34	17	5	70	36	15	52	9	14	8.6	30	
18-1.5	15	25	15	5	30	34.6	27	38	21	6	84	43	19	62	11	17	10.5	36		

Ordering Example Part Number FJRHA5-0.8

## Sheet Metal Holder Set

Type	Material		Surface Treatment	Hardness
	Floating Joints	Holder		
FJSC	S45C Equivalent	SPOC Equivalent	Salt-bath Nitriding	500HV~



Part Number	Type	M-Pitch	T	Included Holder							Unit Price								
				Tolerance	B	D1	W	H	a	h		l	P	d	Maximum Applied Tensile/Compression Force (N)				
FJSC	3-0.5	2.3	+0.3 +0.25	2	6	8	9.2	2.3	±0.19	8	6.5	16	25	5	14	6	8	4.5	19
	4-0.7	3.2	+0.35 +0.3	3	7	10	11.5	3.2	±0.23	10	8	19	26	6	10	10	12	5.5	54
	5-0.8	3.2	+0.35 +0.3	3	8	12	13.9	3.2	±0.23	12	9	22	33	7	12	12	14	5.5	123
	6-1.0	3.2	+0.35 +0.3	3	10	14	16.2	3.2	±0.23	14	11	25	34	8	14	14	5.5	123	

Ordering Example Part Number FJSC4-0.7

