

# Hot Air Generating Units

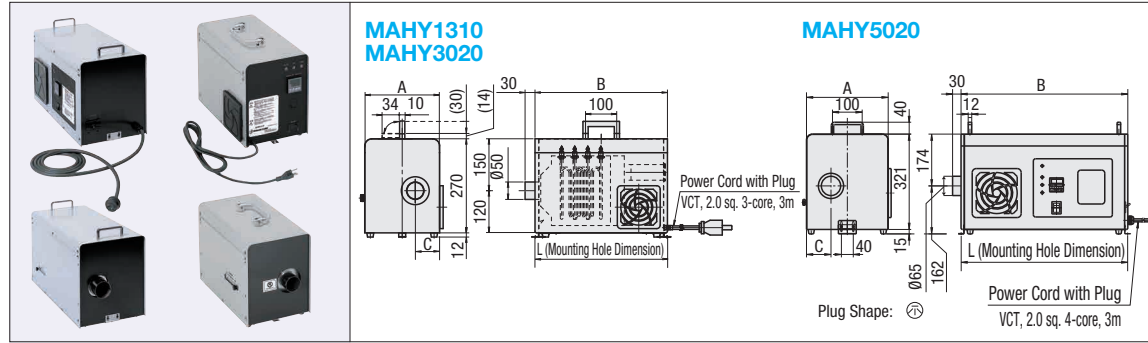
## Standard Type

Instruction manual is available online:  
<http://fa.misumi.jp/ht/>

# Hot Air Generating Units

## Air Circulation

Instruction manual is available online:  
<http://fa.misumi.jp/ht/>



Part Number Type	No.	A	B	C	L	Heater Capacity (kW)	Voltage (V)	Frequency (Hz)	Unit Price Qty. 1 ~ 2
MAHY	1310	215	380	70	383	1.3	100	For 50 and 60	
	3020	250	450	87.5	453	3.0	200		
	5020	275	561	82.5	560	5.0	200		

Part Number  
**MAHY3020**

### Features

The MISUMI's Hot Air Generating Unit is a compact heater unit, incorporating a blower and a temperature controller with a built-in sheath heater for air heating. PID control method is employed for the temperature controller for effective temperature control. (For details of temperature controllers, see P.1667.)

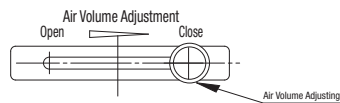
### Common Specifications

	MAHY1310	MAHY3020	MAHY5020
Power Supply	Single-phase 100V	Single-phase 200V	Three-phase 200V
Heater Capacity	1.3kw	3.0kw	5.0kw
Temperature Control Range	Room Temp. ~ 200°C	Room Temp. ~ 300°C	Room Temp. ~ 350°C
Outlet Port Dia.	Ø50		
* Max. Air Volume	Full Open 1.0/1.4(50Hz/60Hz) 1/3 Open 0.3/0.4(50Hz/60Hz)	2.7/3.2(50Hz/60Hz) 1.0/1.3(50Hz/60Hz)	
Intake Air Temperature	Room Temp.		
Control Mechanism: Temperature Indication	Digital Indication		
: Control Drive	SSR Drive		
: Temperature Sensor	K Thermocouple		
: Safety Circuit	Over-temperature / Interlock		
Air Volume Adjustment	Manual Damper		
Weight	10kg	13kg	27kg

\* The values of maximum wind volume are for reference only.

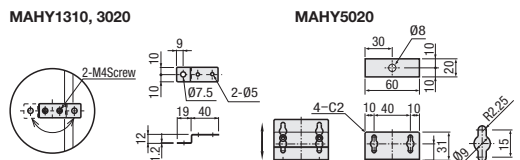
### Air Volume Adjustment

Air volume can be adjusted by moving the "Air Volume Adjusting Knob" left and right on the side of the body.



### How to Mount

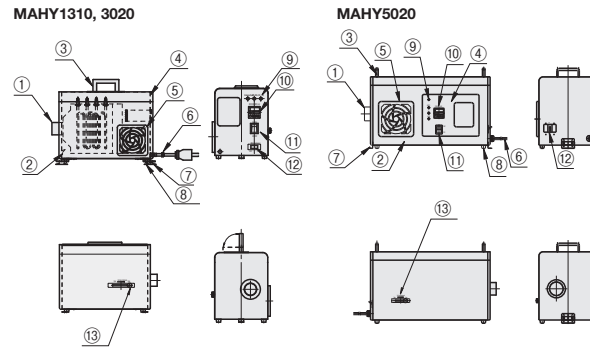
- Screwing with the fixing bracket
- Remove the M4 bolt from the fixing bracket, and install the bracket as shown below.
- Prepare two M6 screws for securing the main body.



### Precautions for Use

- Never use the unit at any temperature over the maximum operating temperature. It may result in breakage.
- Never touch the air outlet and adjacent portion during operation. Otherwise, burn injury may be suffered due to high temperature.
- The heater is not waterproof. Never expose the heater to water or any other liquids.
- Do not use over the rated voltage (V).
- Do not dismantle or remodel the body.
- Read the instruction manual thoroughly to ensure safe operation of the unit.

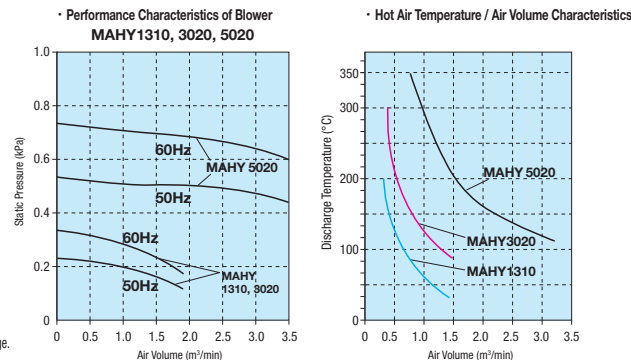
### Basic Structure



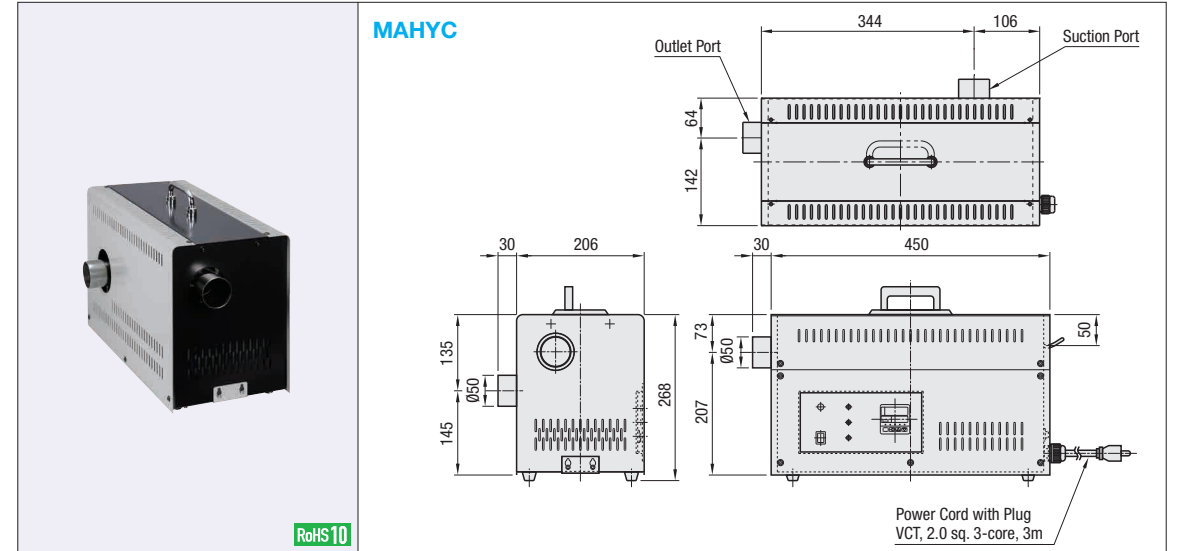
No.	Name	No.	Name
①	Outlet Port	⑧	Rubber Legs
②	Body Case (SPCC, Painted)	⑨	Operation Indicator Lamp
③	Handle	⑩	Temperature Adjuster
④	Control Panel	⑪	ON/OFF Switch
⑤	Suction Port	⑫	Breaker
⑥	Power Cord with Plug	⑬	Air Volume Adjusting Knob
⑦	Metal Part for Fixation (SUS304)		

Plug type for No.3020 is WF5320, and for No.5020 is WF5420.

### Performance Curve



### MAHYC



Part Number Type	No.	Heater Capacity (kW)	Voltage (V)	Frequency (Hz)	Unit Price Qty. 1 ~ 2
MAHYC	1010	1.0	100	For 50 and 60	

Part Number  
**MAHYC1010**

### Features

Heat can be effectively utilized by circulating heated air emitted from outlet port to suction port. Higher energy efficiency operation than Standard Type (MAHY).

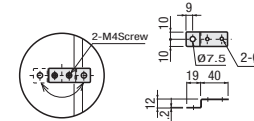
### Specification

	MAHYC
Power Supply	Single-phase 100V
Heater Capacity	1.0kw
Temperature Control Range	Room Temp. ~ 200°C
* Maximum Air Volume (50/60Hz)	1.1/1.2 m³/min
Maximum Static Pressure (50/60Hz)	0.2/0.3kPa
Control Mechanism: Temperature Indication	Digital Indication
: Control Drive	SSR Drive
: Temperature Sensor	K Thermocouple
: Safety Circuit	Over-temperature / Interlock
Maximum Noise (at the time of maximum air volume)	63dB
Temperature of Suctioned Air	Room Temp. ~ 150°C
Power Cord	VCTF 3-corex2sq (3m)
Weight	9kg

\* The values of maximum wind volume are for reference only.

### How to Mount

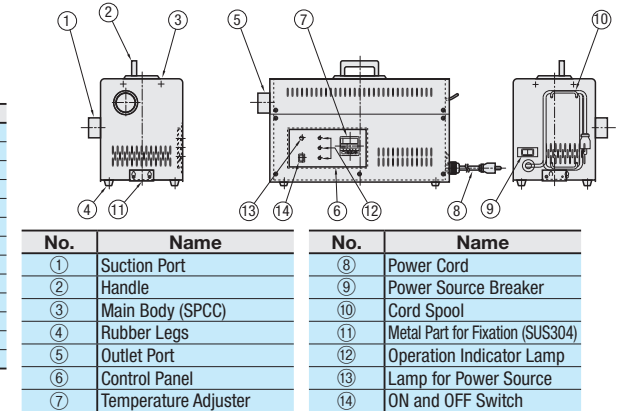
- Screwing with the fixing bracket
- Remove the M4 bolt from the fixing bracket, and install the bracket as shown below.
- Prepare two M6 screws for securing the main body.



### Precautions for Use

- Never use the unit at any temperature over the maximum operating temperature. It may result in breakage.
- Never touch the air outlet and adjacent portion during operation. Otherwise, burn injury may be suffered due to high temperature.
- The heater is not waterproof. Never expose the heater to water or any other liquids.
- Do not use over the rated voltage (V).
- Do not dismantle or remodel the body.
- Read the instruction manual thoroughly to ensure safe operation of the unit.

### Basic Structure



No.	Name	No.	Name
①	Suction Port	⑧	Power Cord
②	Handle	⑨	Power Source Breaker
③	Main Body (SPCC)	⑩	Cord Spool
④	Rubber Legs	⑪	Metal Part for Fixation (SUS304)
⑤	Outlet Port	⑫	Operation Indicator Lamp
⑥	Control Panel	⑬	Lamp for Power Source
⑦	Temperature Adjuster	⑭	ON and OFF Switch

### Performance Curve

