

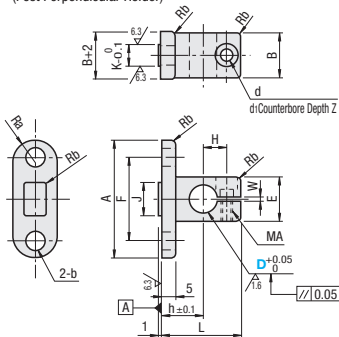
Holders for Aluminum Extrusions, Clamps

Circular Posts, Square Posts, Clamps/Stands for Factory Frames

Circular Posts

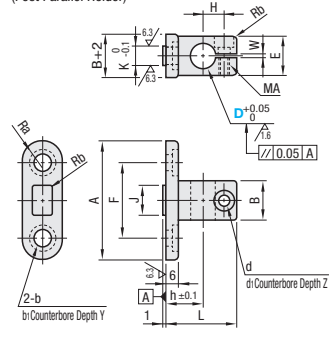
LCSA

(Post Perpendicular Holder)



LCSBN

(Post Parallel Holder)



Insert the protrusion on the base into the slot of the aluminum extrusion.



RoHS10

LCSB has been changed to LCSBN. The mounting holes are now counterbored.

Material: A2017
 Surface Treatment: Anodize

Part Number Type	No.	D	Extrusion Series	A	B	h	L	H	F	b	J	K	E	d	d1	Z	MA	W	Ra	Rb	Included Screw	Unit Price	Volume Discount Rate
																						1-8 pc(s)	9-50
LCSA	5	6	HFS5	33	10	10	20.5	6.5	22		10		10	3.5	6.5	3.5	M3	1	5	1	SCB3-6		
		8		36	12	12	23	7	25	5.5	12	5.8	12								SCB3-8		
		10		39	16	15	28.5	8.5	28		16		16	4.5	8	4.5	M4	1.5	8		SCB4-10		
	6	8	HFS6	38	12	12	23	7	25		8		12	3.5	6.5	3.5	M3	1	6		SCB3-8		
		10		42	16	15	28.5	8.5	30	6.6	12	7.8	16								SCB4-10		
		12		44	18	29	9	32		18		18	4.5	8	4.5	M4	1.5	9	SCB4-12				

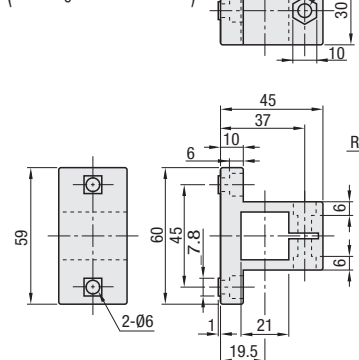
Part Number Type	No.	D	Extrusion Series	A	B	h	L	H	F	b	b1	Y	J	K	E	d	d1	Z	MA	W	Ra	Rb	Included Screw	Unit Price	Volume Discount Rate
																								1-8 pc(s)	9-50
LCSBN	5	6	HFS5	35	10	10	20.5	6.5	22		9	3.5	10		10	3.5	6.5	3.5	M3	1	6	1	SCB3-6		
		8		37	12	12	23	7	24	5.5	12	5.8	12										SCB3-8		
		10		41	16	15	28.5	8.5	28		16		16	4.5	8	4.5	M4	1.5	9	SCB4-10					
	6	8	HFS6	41	12	12	23	7	26		8		12	3.5	6.5	3.5	M3	1	7	SCB3-8					
		10		45	16	15	28.5	8.5	30	6.6	11	7.8	16								SCB4-10				
		12		47	18	29	9	32		18		18	4.5	8	4.5	M4	1.5	10	SCB4-12						

Ordering Example: Part Number LCSA6 - D 10

Square Posts

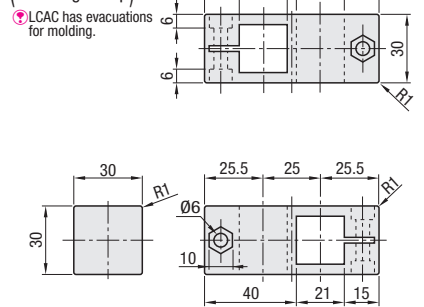
LCAH

(20mm Square Perpendicular Mounting Holder)



LCAC

(20mm Square Mounting Clamp)



Component Material Surface Treatment
 Caster Polyamide (Black)
 Screw Structural Alloy Steel Trivalent Chromate
 Nut SS400 Trivalent Chromate

RoHS10

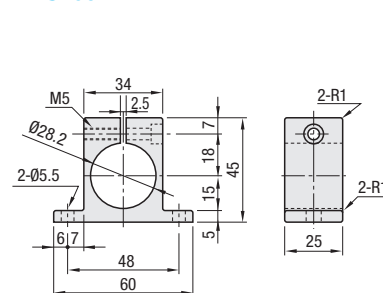
Part Number Type	No.	D (Nominal)	Applicable Extrusion	Applicable Screw and T Nut for the Mounting Side	Included Screw and T Nut for the Post Side	Unit Price	Volume Discount Rate
			Mounting Side Post Side	Screw Quantity T Nut Quantity	Screw Quantity Nut	1-8 pc(s)	9-50
LCAH	6	20	HFS6	CBM6-12 2 HNTT6-6 2	M6x23 1 M6 (JIS Class 1) 1		
LCAC			HFS5-2020	- -	M6x23 2 M6 (JIS Class 1) 2		

Screws and nuts for the mounting side are not included.

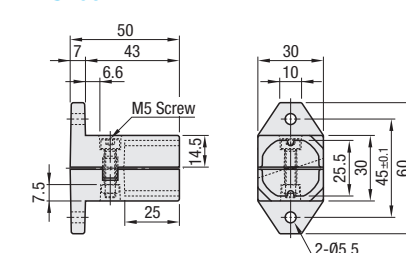
Ordering Example: Part Number LCAH6 - D 20

Clamps/Stands for Factory Frames

FFS105



FFS205



Part Number	Component	Material	Surface Treatment
FFS105	Caster	A6063	Clear Anodize
	Screw	SCM435	Trivalent Chromate
FFS205	Caster	ADC12 Equivalent	-
	Screw	SCM435	Trivalent Chromate
	Nut	SS400	Trivalent Chromate

Part Number Type	Applicable Extrusion Post Side	Screw	Included Screw, Nut	Unit Price	Volume Discount Rate
			Quantity Nut Quantity	1-19 pc(s)	20-50
FFS105	FFA28 FFAS28 FFAU28 (P880)	M5-22	1 -		
FFS205		M5-20	1 M5 (JIS Class 1) 1		

Ordering Example: Part Number FFS105

Applicable Screw and Nut (Mounting Side) Screws and nuts for the mounting side are not included.

No.	Extrusion on the Mounting Side	Screw	Nut	Quantity
FFS105	HFS5	CBM5-10	HNTT5-5	2
	HFS6	CBM5-12	HNTT6-5	
	HFS8	CBM5-15	HNTT8-5	
	HFS8-45	CBM5-15	HNTT5-5	
FFS205	HFS5	CBM5-12	HNTT5-5	2
	HFS6	CBM5-15	HNTT6-5	
	HFS8-45	CBM5-18	HNTT8-5	

