


# Roller Followers

## Separate, Solid

Similar Products Comparison Points | Max. Basic Dynamic Load Rating 41.7kN

Similar Product Pages P.1090

**Separate**



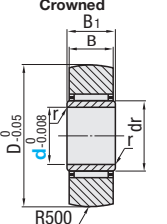
RoHS 10

Grease	No Seal		With Seal		Material
	Crowned	Flat	Crowned	Flat	
General	NASTR	NASTF	NASTZ	NASTFZ	SUJ2 Equivalent
Low Dust Generation	-	NASTFS	NASTZS	NASTFZS	SUS440C

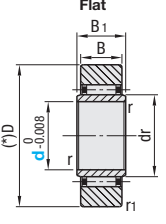
  

**No Seal**

Crowned

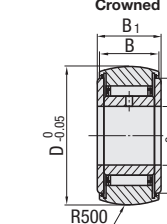


Flat

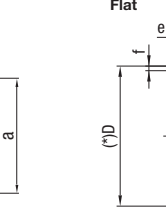


**With Seal**

Crowned



Flat



\* D Tolerance

19-30	0.009
32-47	0.011

Operating Temp.: 80°C or lower

Operating Temp.: 80°C or lower

Separated to an outer ring, an inner ring, and a retainer. See the figure on the overview page P.1087.

**No Seal**

Part Number	Type	d	D	dr	B	B <sub>1</sub>	r	r <sub>1</sub>	Basic Dynamic Load Rating		Basic Static Load Rating		Track Load Capacity (kN)		Max. Rotational Speed (rpm)	Mass (g)	Unit Price		
									C (kN)	Co (kN)	NASTR	NASTF	NASTZ	NASTFZ			NASTR	NASTF	NASTFS
6	(Crowned)	19	10	9.8	10	0.5	0.5	4.12	4.55	1.37	3.53	20000	17.8	-	-	-	-	-	-
8	(Crowned)	24	12	12	12	1.0	1.0	5.68	5.89	1.86	4.02	17000	28	-	-	-	-	-	-
10	(Crowned)	30	14	14	14	1.5	1.5	9.70	9.67	2.45	5.59	15000	50	-	-	-	-	-	-
12	(Crowned)	32	16	11.8	12	1.5	1.5	10.4	10.9	2.74	5.98	13000	58	-	-	-	-	-	-
15	(Crowned)	35	20	15.8	16	-	-	12.3	14.3	3.14	-	10000	62	-	-	-	-	-	-
17	(Crowned)	40	22	17.5	18	-	-	17.4	20.9	3.72	-	9500	110	-	-	-	-	-	-
20	(Crowned)	47	25	19.8	20	-	-	19.2	24.5	4.61	-	8500	155	-	-	-	-	-	-


Apply ample grease before use. kgf=Nx0.101972

**With Seal**

Part Number	Type	d	D	a	B	B <sub>1</sub>	e	f	Basic Dynamic Load Rating		Basic Static Load Rating		Track Load Capacity (kN)		Max. Rotational Speed (rpm)	Mass (g)	Unit Price		
									C (kN)	Co (kN)	NASTZ	NASTFZ	NASTZS	NASTFZS			NASTZS	NASTFZS	NASTZS
6	(Crowned)	19	14	13.8	14	2.5	0.8	4.12	4.55	1.37	3.53	8000	24.5	-	-	-	-	-	-
8	(Crowned)	24	17.5	17.5	17.5	2.5	0.8	5.68	5.89	1.86	4.51	6800	39	-	-	-	-	-	-
10	(Crowned)	30	23.5	23.5	23.5	2.5	0.8	9.70	9.67	2.45	6.86	6000	65	-	-	-	-	-	-
12	(Crowned)	32	25.5	25.5	25.5	2.5	0.8	10.4	10.9	2.74	7.35	5200	75	-	-	-	-	-	-
15	(Crowned)	35	29.0	29.0	29.0	2.5	0.8	12.3	14.3	-	8.04	4000	83	-	-	-	-	-	-
17	(Crowned)	40	32.5	32.5	32.5	2.5	0.8	17.4	20.9	-	11.8	3800	135	-	-	-	-	-	-
20	(Crowned)	47	38.0	38.0	38.0	2.5	0.8	19.2	24.5	-	13.8	3400	195	-	-	-	-	-	-

Apply ample grease before use. kgf=Nx0.101972

**Solid**



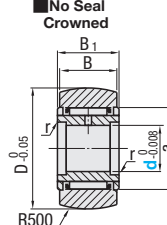
RoHS 10

Grease	No Seal		With Seal		Material
	Crowned	Heavy Load Crowned	Crowned	Heavy Load Crowned	
General	NARTR	NARTRV	NARTU	NARTV	SUJ2 Equivalent
Low Dust Generation	NARTRS	-	NARTUS	NARTVS	SUS440C
Low Dust Generation	-	-	NARTUC	-	-

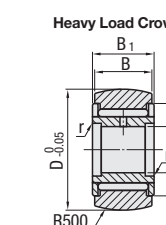
  

**No Seal**

Crowned

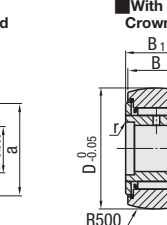


Heavy Load Crowned

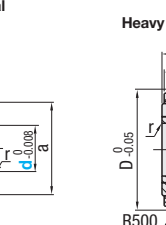


**With Seal**

Crowned



Heavy Load Crowned



Operating Temp.: 80°C or lower

Separated to an outer ring, an inner ring, and a retainer. See the figure on the overview page P.1087.

**No Seal**

Part Number	Type	d	D	a	B	B <sub>1</sub>	r	Basic Dynamic Load Rating C (kN)		Basic Static Load Rating Co (kN)		Track Load Capacity (kN)	Max. Rotational Speed (rpm)	Mass (g)	Unit Price			
								NARTR	NARTRV	NARTU	NARTV				NARTRS	NARTRV	NARTV	
5	(Crowned)	16	12	11	12	0.5	0.5	2.84	6.46	2.65	7.81	1.08	25000	10500	15	-	-	-
6	(Crowned)	19	14	14	14	0.5	0.5	3.33	7.58	3.35	10.2	1.37	20000	8700	21	-	-	-
8	(Crowned)	24	17.5	17.5	17.5	0.5	0.5	5.68	11.7	5.89	15.6	1.86	17000	7000	42	-	-	-
10	(Crowned)	30	23.5	23.5	23.5	0.5	0.5	7.94	15.8	7.59	18.5	2.45	15000	5700	66	-	-	-
12	(Crowned)	32	25.5	25.5	25.5	0.5	0.5	8.53	17.0	8.44	21.0	2.74	13000	5200	73	-	-	-

kgf=Nx0.101972

**With Seal**

Part Number	Type	d	D	a	B	B <sub>1</sub>	r	Basic Dynamic Load Rating C (kN)		Basic Static Load Rating Co (kN)		Track Load Capacity (kN)	Max. Rotational Speed (rpm)	Mass (g)	Unit Price			
								NARTU	NARTV	NARTU	NARTV				NARTU	NARTV	NARTU	NARTV
5	(Crowned)	16	12	11	12	0.5	0.5	2.84	6.46	2.65	7.81	1.08	4200	14.5	15.1	-	-	-
6	(Crowned)	19	14	14	14	0.5	0.5	3.33	7.58	3.35	10.2	1.37	8000	3480	20.5	21.5	-	-
8	(Crowned)	24	17.5	17.5	17.5	0.5	0.5	5.68	11.7	5.89	15.6	1.86	6800	2800	41.5	42.5	-	-
10	(Crowned)	30	23.5	23.5	23.5	0.5	0.5	7.94	15.8	7.59	18.5	2.45	6000	2280	64.5	66.5	-	-
12	(Crowned)	32	25.5	25.5	25.5	0.5	0.5	8.53	17.0	8.44	21.0	2.74	5200	2080	71	73	-	-
15	(Crowned)	35	29.0	29.0	29.0	0.5	0.5	13.7	25.3	16.4	36.9	3.14	4000	1720	102	106	-	-
17	(Crowned)	40	32.5	32.5	32.5	0.5	0.5	17.4	32.0	19.3	46.6	3.72	3800	1560	149	155	-	-
20	(Crowned)	47	38.0	38.0	38.0	0.5	0.5	22.9	41.7	30.6	67.7	7.15	3200	1360	250	255	-	-

kgf=Nx0.101972

Ordering Example Part Number NASTR8

# MISUMI C-VALUE Roller Followers


## Separate, Solid

Similar Products Comparison Points | Max. Basic Dynamic Load Rating 20.6kN

Similar Product Pages P.1089

Compared to similar products, 30% Off Max.

**Separate**

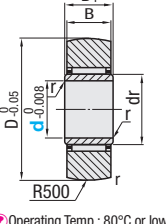


Grease	No Seal		With Seal		Material
	Crowned	Flat	Crowned	Flat	
General	C-NASTR	C-NASTF	C-NASTZ	C-NASTFZ	SUJ2 Equivalent

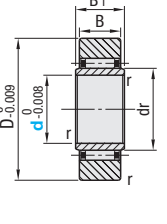
  

**No Seal**

Crowned

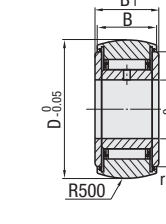


Flat

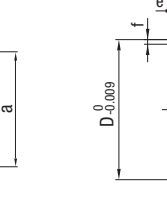


**With Seal**

Crowned



Flat



\* D Tolerance

19-30	0.009
32-47	0.011

Operating Temp.: 80°C or lower

Operating Temp.: 80°C or lower

Separated to an outer ring, an inner ring, and a retainer. See the figure on the overview page P.1087.

**No Seal**

Part Number	Type	d	D	dr	B	B <sub>1</sub>	r	Basic Dynamic Load Rating		Basic Static Load Rating		Track Load Capacity (kN)		Max. Rotational Speed (rpm)	Mass (g)	Unit Price	
								C (kN)	Co (kN)	C-NASTR	C-NASTF	C-NASTZ	C-NASTFZ			C-NASTR	C-NASTF
6	(Crowned)	19	10	9.8	10	0.3	0.3	3.75	4.57	1.1	2.82	10000	17.8	-	-	-	-
8	(Crowned)	24	12	12	12	0.3	0.3	4.2	5.4	1.49	3.22	8000	28	-	-	-	-
10	(Crowned)	30	14	14	14	0.3	0.3	8.4	9.2	1.96	4.47	5500	50	-	-	-	-
12	(Crowned)	32	16	11.8	12	0.3	0.3	9.0	10.1	2.19	4.78	4500	58	-	-	-	-
15	(Crowned)	35	20	15.8	16	0.3	0.3	9.1	10.7	2.51	-	3300	62	-	-	-	-
17	(Crowned)	40	22	17.5	18	0.3	0.3	14.2	17.7	2.98	-	2800	110	-	-	-	-
20	(Crowned)	47	25	19.8	20	0.3	0.3	16.2	21.5	3.69	-	2400	155	-	-	-	-


Apply ample grease before use. kgf=Nx0.101972

**With Seal**

Part Number	Type	d	D	a	B	B <sub>1</sub>	r	Basic Dynamic Load Rating		Basic Static Load Rating		Track Load Capacity (kN)		Max. Rotational Speed (rpm)	Mass (g)	Unit Price	
								C (kN)	Co (kN)	C-NASTZ	C-NASTFZ	C-NASTZS	C-NASTFZS			C-NASTZS	C-NASTFZS
6	(Crowned)	19	14	13.8	14	0.3	0.3	1.21	1.45	1.1	2.82	12000	24.5	-	-	-	-
8	(Crowned)	24	17.5	17.5	17.5	0.3	0.3	1.3	1.7	1.49	3.61	9900	39	-	-	-	-
10	(Crowned)	30	25.5	25.5	25.5	0.3	0.3	2.34	2.38	1.96	5.49	9400	65	-	-	-	-
12	(Crowned)	32	25.5	25.5	25.5	0.3	0.3	2.52	2.68	2.19	5.88	8100	75	-	-	-	-
15	(Crowned)	35	30	30	30	0.3	0.3	2.9	3.4	-	6.43	6300	83	-	-	-	-
17	(Crowned)	40	33	33	33	0.3	0.3	4.27	5.24	-	9.44	5600	135	-	-	-	-
20	(Crowned)	47	37	37	37	0.3	0.3	4.5	5.7	-	11.04	4900	195	-	-	-	-

kgf=Nx0.101972

**Solid**

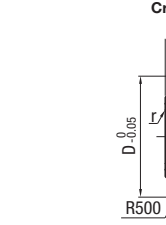


Grease	No Seal		With Seal		Material
	Crowned	Heavy Load Crowned	Crowned	Heavy Load Crowned	
General	C-NARTR	-	C-NARTU	C-NARTV	SUJ2 Equivalent

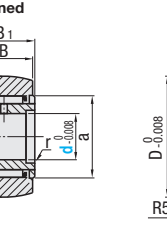
**No Seal**

Crowned

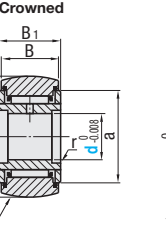


**With Seal**

Crowned



Heavy Load Crowned



**No Seal**

Part Number	Type	d	D	a	B	B <sub>1</sub>	r	Basic Dynamic Load Rating		Basic Static Load Rating		Track Load Capacity (kN)	Max. Rotational Speed (rpm)	Mass (g)	Unit Price	
								C (kN)	Co (kN)	C-NARTU	C-NARTV				C-NARTU	C-NARTV
5	(Crowned)	16	12	11	12	0.15	0.15	3.15	3.3	0.86	0.86	14000	14.5	15.1	-	-
6	(Crowned)	19	14	14	14	0.15	0.15	3.5	3.9	1.1	1.1	11000	21	-	-	-
8	(Crowned)	24	19	19	19	0.15	0.15	5.5	6.4	1.49	1.49	7500	42	-	-	-
10	(Crowned)	30	23	23	23	0.15	0.15	6.8	8.4	1.96	1.96	5500	66	-	-	-
12	(Crowned)	32	25	25	25	0.15	0.15	6.9	8.8	2.19	2.19	4500	73	-	-	-

kgf=Nx0.101972

**With Seal**

Part Number	Type	d	D	a	B	B <sub>1</sub>	r	Basic Dynamic Load Rating C (kN)		Basic Static Load Rating C (kN)		Track Load Capacity (kN)	Max. Rotational Speed (rpm)	Mass (g)	Unit Price	
								C-NARTU	C-NARTV	C-NARTU	C-NARTV				C	