

BASE PLATE



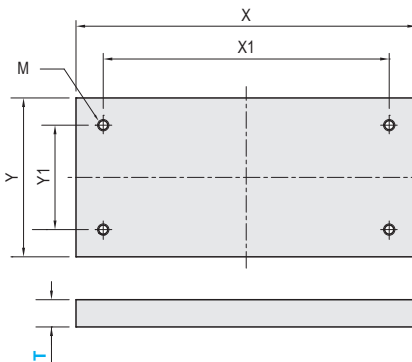
How to Mount

AT-BPLN (No mounting hole)

It has no mounting hole; holes can be drilled as desired.



Screw hole for mounting clamp
Mounting holes for robot arm



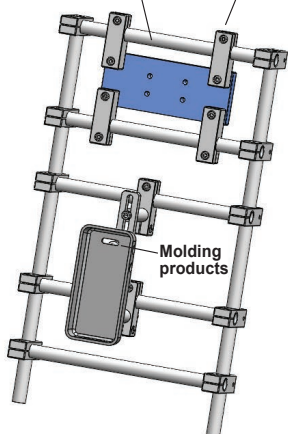
M Material: A6061 equivalent **S** Surface treatment: White alumite



Example

AT-BPL

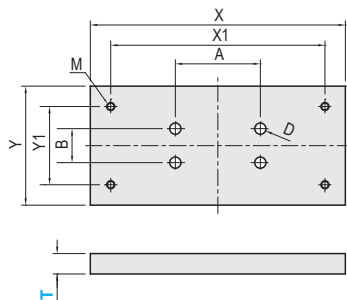
MSMBH



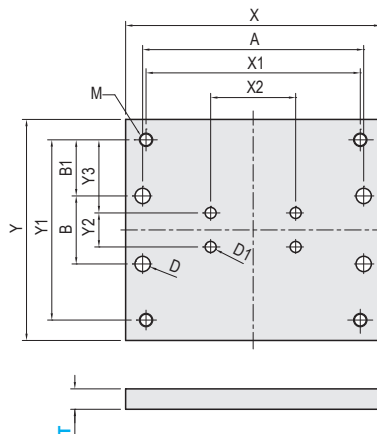
AT-BPL (With mounting holes)

Select the number of mounting holes, pitch (A / B) and hole diameter (D) to match the mounting part of the robot.

For 4-Hole Mounting



For 8-Hole Mounting



This product is to be used in combination with parts for chuck plates listed in this catalog. Note that it may not be compatible to assemble with other products.

Mounting no. of holes	A	B	D	X	Y	T	X1	Y1	M	X2	Y2	D1	B1	Y3	Weight (g)*1	Part Number		T	Unit Price 1~10 pcs						
																Type	No.								
No hole	-	-	-	-	70	-	-	46	M5	-	-	-	-	-	141	AT-BPLN (No mounting hole)	150070	5							
															338			12							
									260						5										
									625						12										
4 holes	42	20	5.5	150	70	12	126	46	M5	-	-	-	-	-	140	AT-BPL (With mounting holes)	042020	5	Quotation						
															336			12							
															139			5							
															333			12							
	50	20	6.6	150	70	12	126	46	M5	-	-	-	-	-	140			AT-BPL (With mounting holes)		050020	5	Quotation			
															336						12				
															139						5				
															333						12				
50	27	5.5	150	70	12	126	46	M5	-	-	-	-	-	140	AT-BPL (With mounting holes)	050027	5		Quotation						
														336			12								
														139			5								
														333			12								
70	40	6.6	150	70	12	126	46	M5	-	-	-	-	-	140			AT-BPL (With mounting holes)	070040		5	Quotation				
														336						12					
														139						5					
														333						12					
8 holes	80	40	6.6	150	70	12	126	46	M5	50	27	5.5	45	45	259	AT-BPL (With mounting holes)			080040	5		Quotation			
															621					12					
															257					5					
															617					12					
120	60	9	150	70	12	126	46	M8	-	-	-	-	-	257	AT-BPL (With mounting holes)		120060	5		Quotation					
														617				12							
														257				5							
														617				12							
130	40	9	150	70	12	126	46	M8	50	20	6.6	55	45	257		AT-BPL (With mounting holes)		130040	5		Quotation				
														617					12						

*1 The weight is an approximate value which serves only as a guideline.

For quantities not displayed here, refer to our MISUMI website for more information.



Order

Part Number

T

AT-BPLN150070

T5

AT-BPL120060

T12



Days to Ship

Quotation



Price

Quotation

REMOVAL RELATED PRODUCTS