

# EJECTOR LEADER BUSHINGS

—LINEAR GUIDE TYPE • STEEL/STEEL (SHORT TYPE)/STAINLESS—

Non JIS material definition is listed on P.1351 - 1352

**RoHS**

**EGBL** (Steel)  
**EGBLT** (Steel —Short type—)  
**EGBLS** (Stainless)

**A** Snap ring (1 pc.)  
EGBW

This product is delivered with a snap ring set in the  $l_1$  groove.

Type	Bushing body, balls	Ball retainer
EGBL	M SUJ2 equivalent	Steel
EGBLT	H 58HRC~	—
EGBLS	M SUS440C or equivalent	—
	H 58HRC~	—

d	Dh6	D1	L	l1	l2	l3	t	W	Dynamic load N (kgf)	Part Number		U/Price for 1~9		
										Type	d	EGBL	EGBLT	EGBLS
6	12	15.5	19	9	—	2.75	1.0	1.1	206 ( 21)	EGBL EGBLS	6			
8	15	19.3	24	10	—	3.25	1.0	1.1	265 ( 27)		8			
10	19	23.6	29	13	—	3.5	1.2	1.3	373 ( 38)		10			
13	23	28.5	32	13	—	4.5	1.2	1.3	510 ( 52)		13			
16	28	34.2	37	15	20	5.25	1.5	1.6	775 ( 79)		16			
20	32	38.4	42	20	25	5.75	1.5	1.6	863 ( 88)		20			
25	40	47.1	59	20	25	9	1.75	1.85	981 (100)		25			
30	45	52.8	64	25	30	9.75	1.75	1.85	1,569 (160)		30			
25	40	47.1	44	20	25	6.25	1.75	1.85	764 ( 78)		EGBLT (Short type)	25		
30	45	52.8	54	25	30	7.75	1.75	1.85	1,442 (147)	EGBLT (Short type)	30			

Load (kgf)=Load N×0.101972

**Order** Part Number  
EGBL10  
EGBLT25

**Price** Quotation

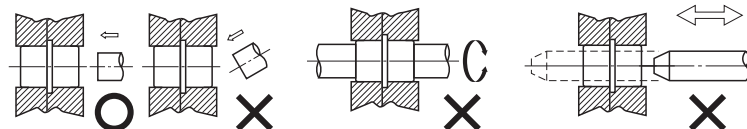
**Days to Ship** Quotation

- Features**
- A linear guide type bushing developed for use with ejector plate leaders.
  - Relocating the snap ring set in the  $l_1$  groove upon delivery to the  $l_2$  position allows it to be used with ejector plates of a different thickness.
  - Can be used with a spacer (EGBS) that is specially designed for use with this bushing.
  - Is easy to mount. • Imposes no stroke limit.

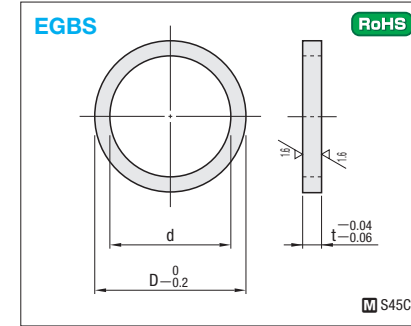
- Notes**
- Please use precision pins (EGH • EGHC • EGHN • EGZA • EGHA P.961 • 962 • 965 • 966).
  - Use this product (EGBL, EGBLT) under a temperature 80°C or lower. Use this product (EGBLS) under a temperature 120°C or less.

**Notes on handling ejector leader bushing**

- When inserting the leader pin into linear guide type, if the leader pin is inserted not straight the ball may come off and the retainer may deform. Please install it gently and straight matching the core.
- Do not use a linear type for rotary motion.
- Do not use a linear type for applications involving repeated removal and insertion.



**Spacers for Linear Type Ejector Leader Bushing**

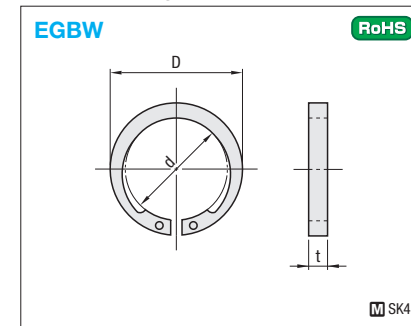


Leader bushing d	D	d	t	Part Number		U/Price			
				Type	No.	1~9	10~49	50~99	100~200
6	16	12	3	EGBS	6				
8	19	15	3		8				
10	23	19	2.8		10				
13	28	23	2.5		13				
16	34	28	2.5		16				
20	38	32	2.25		20				
25	46	40	2.25		25				
30	51	45	2.25		30				

**Order** Part Number  
EGBS10

**Days to Ship** Quotation

**Snap Rings for Linear Type Ejector Leader Bushing**

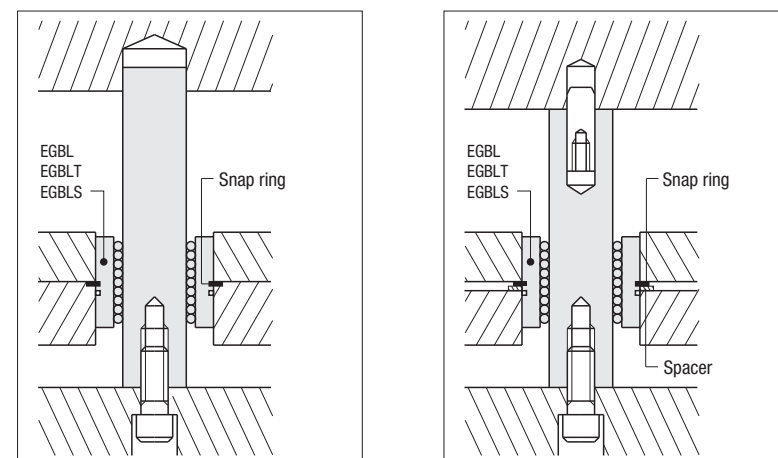


Leader bushing d	D	d	t	Part Number		U/Price			
				Type	No.	1~9	10~49	50~99	100~200
6	15.5	11.1	1.0	EGBW	6				
8	18.6	13.8	1.0		8				
10	23.1	17.5	1.2		10				
13	27.7	21.5	1.2		13				
16	33.1	25.9	1.5		16				
20	37.4	29.6	1.5		20				
25	46.2	37.0	1.75		25				
30	51.3	41.5	1.75		30				

**Order** Part Number  
EGBW10

**Days to Ship** Quotation

**Example**



Components of Ejector Space