

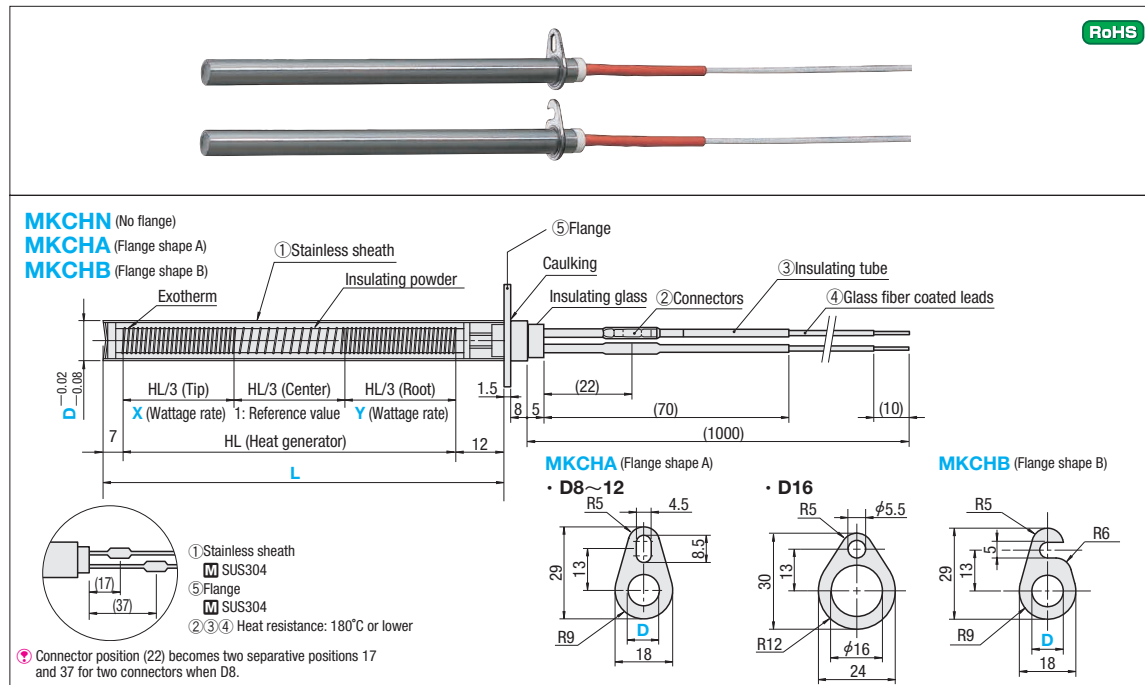
CARTRIDGE HEATERS SOAKING TYPE

—L, W, FLANGE SELECTION TYPE—

CARTRIDGE HEATERS SOAKING TYPE

—L, W, FLANGE SELECTION TYPE • LEAD PROTECTION COVER—

Ⓜ Non JIS material definition is listed on P.1351 - 1352



Part Number Type	D	L 1mm increments	V (Voltage) Selection	W (Total wattage) 10W increments	X (Wattage rate) 0.1 increments	Y (Wattage rate) 0.1 increments
MKCHN (No flange)	8	100~400	200 220	100~1100	1.0~2.0	1.0~2.0
MKCHA (Flange shape A)	10			100~1600		
MKCHB (Flange shape B)	*16			100~2000		

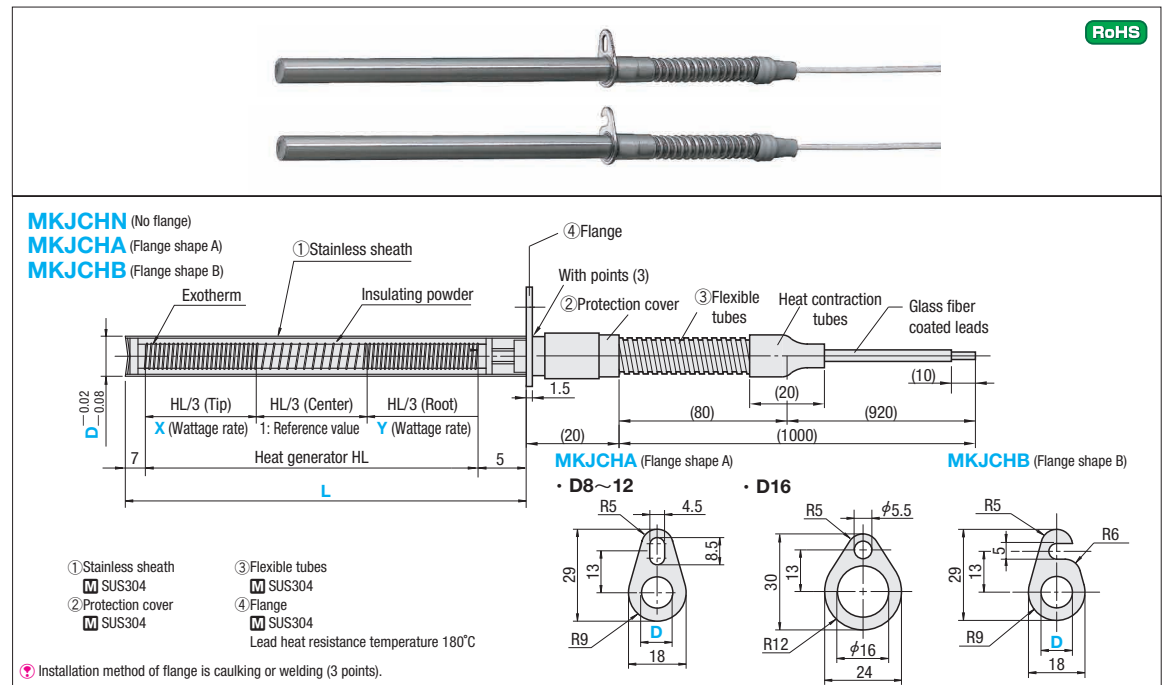
Ⓜ Watt density limit $2 \leq \text{Watt density (W/cm}^2) \leq 15$
 Ⓜ * MKCHB: Not available for D16
 Ⓜ Tip: $2 \leq W \times \frac{X}{X+Y+1} \div (D \times \frac{HL}{3} \times 3.14 \div 100) \leq 15$
 Ⓜ Root: $2 \leq W \times \frac{X}{X+Y+1} \div (D \times \frac{HL}{3} \times 3.14 \div 100) \leq 15$
 Ⓜ Center: $2 \leq W \times \frac{1}{X+Y+1} \div (D \times \frac{HL}{3} \times 3.14 \div 100) \leq 15$

Order **Part Number** - **L** - **V** - **W** - **X** - **Y**
 MKCHA 8 - 200 - V220 - W300 - X1.4 - Y1.6
 MKCHB10 - 300 - V200 - W700 - X1.4 - Y1.6
 Days to Ship **Quotation**

Alterations **Part Number** - **L** - **V** - **W** - **X** - **Y** - (JC · M4 · G4)
 MKCHA12 - 300 - V220 - W1200 - X1.4 - Y1.6 - JC3 - M4

Alterations	Code	Spec.	1Code
	JC	Change the length of the lead wire. Specification method Lead wire length (mm) JC2 2000 JC3 3000	Quotation
	M4	Fit round crimped terminal (M4) onto lead wire.	
	G4	Fit Y-type crimped terminal (M4) onto lead wire.	

P Price **Quotation**
 ● Wattage rate
 The overall wattage (W) of the entire heater indicates the ratio of the distribution to each part. You can specify the wattage of the tip and the root as multiples, based on a reference value of 1 for the center. Outline of cartridge heater soaking type **P.1143**



Part Number Type	D	L 1mm increments	V (Voltage) Selection	W (Total wattage) 10W increments	X (Wattage rate) 0.1 increments	Y (Wattage rate) 0.1 increments
MKJCHN (No flange)	8	100~400	200 220	100~1100	1.0~2.0	1.0~2.0
MKJCHA (Flange shape A)	10			100~1600		
MKJCHB (Flange shape B)	*16			100~2000		

Ⓜ Watt density limit $2 \leq \text{Watt density (W/cm}^2) \leq 15$
 Ⓜ * MKJCHB: Not available for D16
 Ⓜ Tip: $2 \leq W \times \frac{X}{X+Y+1} \div (D \times \frac{HL}{3} \times 3.14 \div 100) \leq 15$
 Ⓜ Root: $2 \leq W \times \frac{X}{X+Y+1} \div (D \times \frac{HL}{3} \times 3.14 \div 100) \leq 15$
 Ⓜ Center: $2 \leq W \times \frac{1}{X+Y+1} \div (D \times \frac{HL}{3} \times 3.14 \div 100) \leq 15$

Order **Part Number** - **L** - **V** - **W** - **X** - **Y**
 MKJCHA12 - 300 - V200 - W1200 - X1.4 - Y1.6
 Days to Ship **Quotation**

Alterations **Part Number** - **L** - **V** - **W** - **X** - **Y** - (JC · M4 · G4)
 MKJCHA8 - 180 - V220 - W500 - X1.4 - Y1.4 - JC3 - G4

Alterations	Code	Spec.	1Code
	JC	Change the length of the lead wire. Specification method Lead wire length (mm) JC2 2000 JC3 3000	Quotation
	M4	Fit round crimped terminal (M4) onto lead wire.	
	G4	Fit Y-type crimped terminal (M4) onto lead wire.	

P Price **Quotation**
 ● Wattage rate
 The overall wattage (W) of the entire heater indicates the ratio of the distribution to each part. You can specify the wattage of the tip and the root as multiples, based on a reference value of 1 for the center. Outline of cartridge heater soaking type **P.1143**