

# STOPPER PLATES

# SIDE COTTER BLOCKS

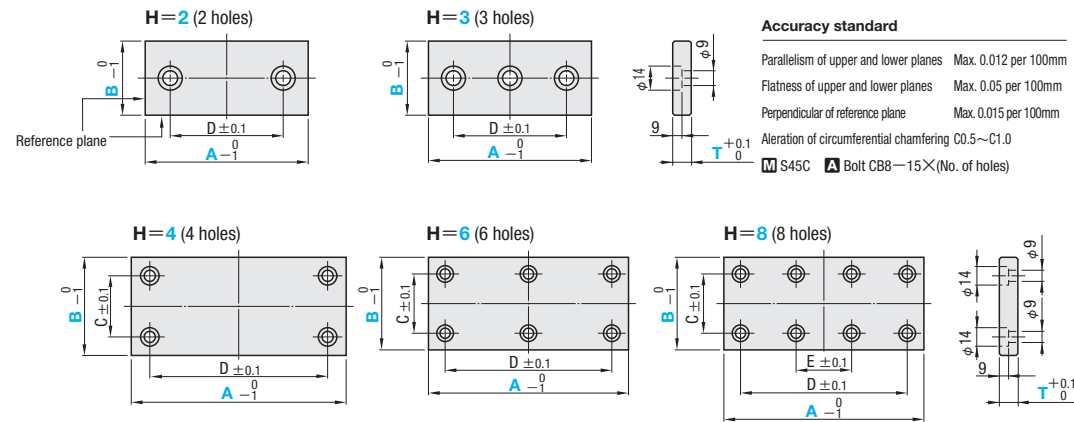
—ANGLE SELECTION TYPE—

Ⓜ Non JIS material definition is listed on P.1351 - 1352



RoHS

## STPX



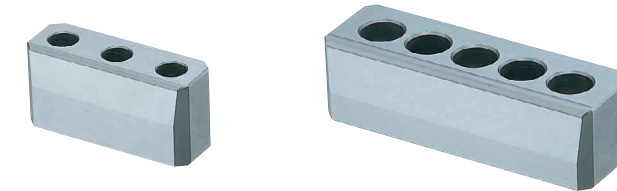
C	D	E	Part Number	A	B	T	U/Price
			Type H				1~9 pcs.
—	50	—	STPX	2	80	60	Quotation
—	120	—		3	250	60	
—	170	—		4	150	80	
—	220	—			200		
—	270	—			300		
—	370	—		400			
50	70	—	STPX	4	100	13	Quotation
—	120	—		6	250	15	
—	170	—			200		
—	220	—			300		
—	270	—			400		
—	370	—		500			

C	D	E	Part Number	A	B	T	U/Price
			Type H				1~9 pcs.
70	70	—	STPX	4	100	13	Quotation
—	120	—		6	250	15	
—	170	—			200		
—	220	—			300		
—	270	—			400		
50	170	—	STPX	8	80	15	Quotation
—	220	—			100		
70	270	—			100		
—	370	—			100		
—	470	160			100		

Order **Part Number** — **A** — **B** — **T**  
 STPX8 — 500 — 80 — T13

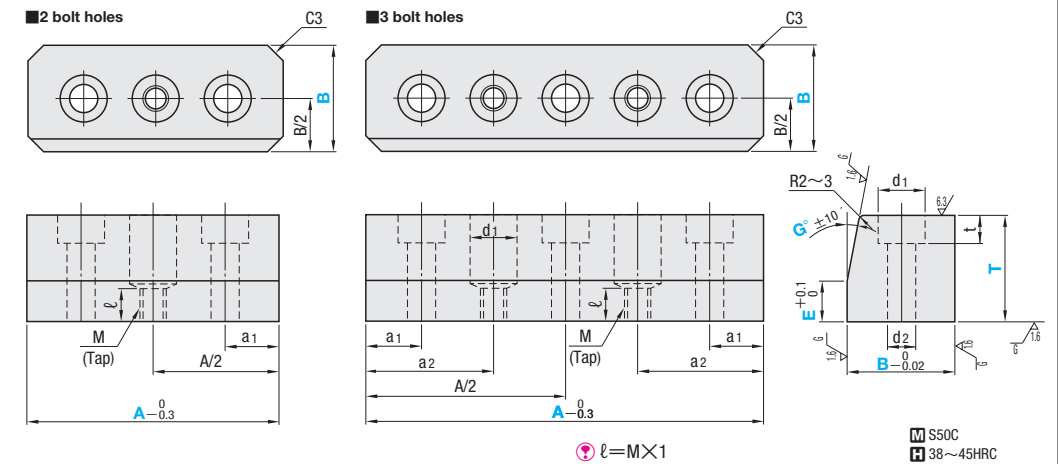
Days to Ship **Quotation**

Price **Quotation**

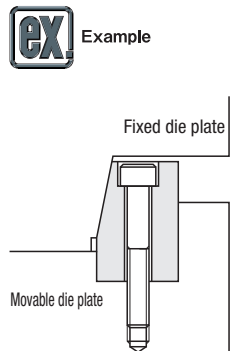


RoHS

## LKWN



M	d1	d2	t	a1	a2	No. of bolt holes	Part Number	T	A	E	G°	U/Price
							Type B					1~9 pcs.
M6	11	6.6	6.5	10	25	2	20	14	60	5	5	Quotation
						3			80			
						3			100			
M5	9.5	5.5	6	—	—	2	25	29	50 60 80	15	5	Quotation
						2			60 80 100			
						2			60 80 100			
M8	14	8.6	8.6	15	32.5	2	30	29	100	10	15	Quotation
						3			150			
						3			200			
M10	18	11	11	20	47.5	2	40	39	100	15	10	Quotation
						3			150			
						3			200			
M12	20	13	13	20	47.5	2	50	44	100	20	10	Quotation
						3			150			
						3			200			



Order **Part Number** — **T** — **A** — **E** — **G**  
 LKWN30 — 29 — A100 — E15 — G5

Price **Quotation**

Days to Ship **Quotation**

Alterations **Part Number** — **T** — **A** — **E** — **G** — (GC)  
 LKWN30 — 29 — A100 — E15 — G5 — GC

Alteration	Code	Spec.	1Code
	GC	Tapers on both side (in angle G against B dimension).	Quotation

Components of Large Mold