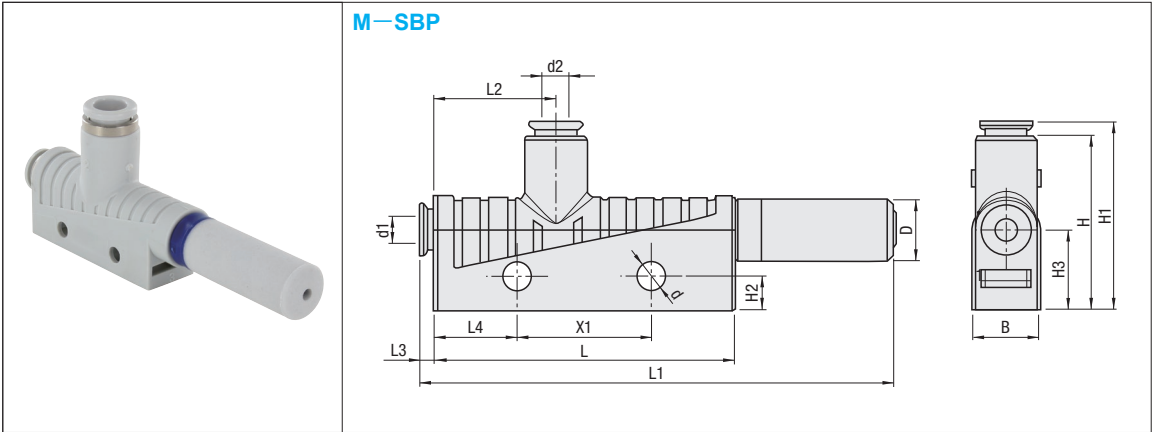


VACUUM GENERATOR



Weight (g)	B	d	d1	d2	D	H	H1	H2	H3	L	L1	L2	L3	L4	X1	Part Number		Unit Price 1~10 pcs
																Type	No.	
7.5	10	4.2	4	4	9	26	28.0	5.2	12	45.0	71	18.0	2.0	13	20	M-SBP	7	Quotation
22	15	4.2	6	8	14	34	40.0	5.2	14	51.5	97	22.0	5.5	13	20		10	
22	15	4.2	6	8	14	34	40.0	5.2	14	51.5	97	22.0	5.5	13	20		15	
50	20	4.2	8	10	20	39	45.5	5.2	17	86.5	168	24.5	5.5	13	20		20	

No.	Nozzle dia. (mm)	Max. degree of vacuum (%)	Max. suction amount (ℓ/min)	Air consumption (ℓ/min)	Noise level (suction) (db(A))	Noise level (no suction) (db(A))	Operating pressure (MPa)	Recommended hose ID	
								Compressed air side (mm)	Vacuum air side (mm)
7	0.7	85	16	23.9	65	59	0.3~0.6	4	4
10	1	85	37	63.8	65	59	0.3~0.6	6	8
15	1.5	85	71	113.2	72	65	0.3~0.6	6	8
20	2	85	127	198	77	68	0.3~0.6	8	10



Order

Part Number
M-SBP10



Days to Ship

Quotation



Price

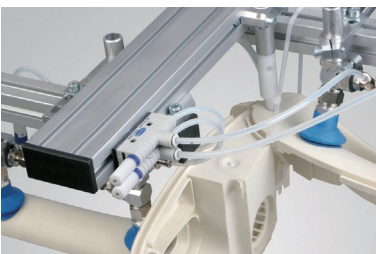
Quotation

Features

A plastic vacuum generator that is versatile and light in weight.

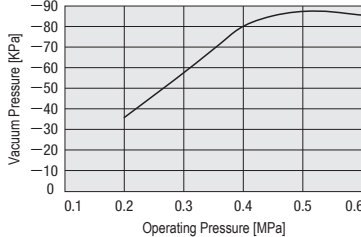


Example

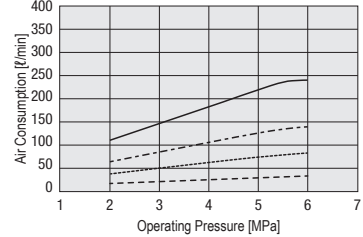


Product Data

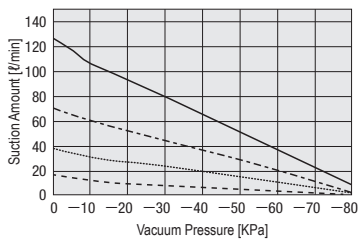
Vacuum Pressure



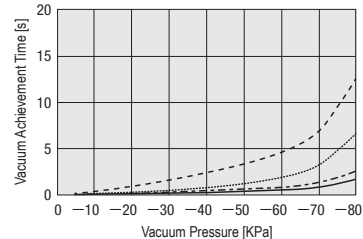
Air Consumption



Suction Amount



Time required for 1 liter to reach vacuum pressure from atmospheric pressure



— : M-SBP20 : M-SBP15 - - - - : M-SBP10 - - - : M-SBP7