


HIGH RIGIDITY STRIPPER GUIDE PINS

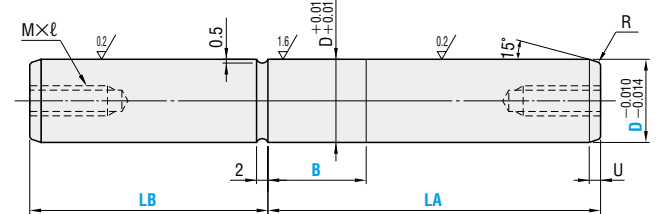
—TYPE FIXED TO STRIPPER PLATE—

SGPWS・SGPWH can be combined with any of the bushings listed on P.887~P.892. Select a suitable combination according to the application.




RoHS

SGPWS (Straight)

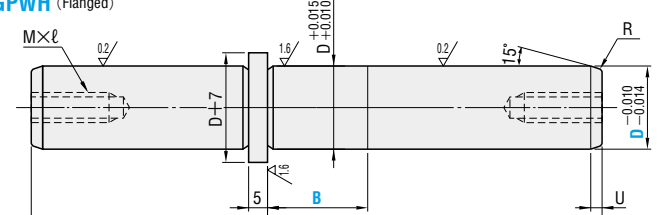


M SUJ2
H 58HRC~



RoHS

SGPWH (Flanged)



M SUJ2
H 58HRC~

| U | R | M×ℓ Pitch | Catalog No. | | D | LA | LB | | B | Base unit price 1~9 pieces | |
|---|-----|----------------|---------------------|----|-------|-------|-----------------|----------------|---|----------------------------|-------|
| | | | Type | D | | | 10mm increments | 1mm increments | | SGPWS | SGPWH |
| 2 | 1.5 | M5×22 P0.8 | SGPWH (Flanged) | 13 | 60 | 30~50 | 10~30 | Quotation | | | |
| | | | | | 70 | 30~60 | | | | | |
| | | | | | 80 | 40~60 | | | | | |
| 3 | 2 | M6×25 P1.0 | SGPWS (Straight) | 16 | 70 | 30~60 | 10~30 | Quotation | | | |
| | | | | | 80 | 30~70 | | | | | |
| | | | | | 90 | 40~80 | | | | | |
| | | 80 | | | 40~70 | | | | | | |
| | | 90 | | | 40~70 | | | | | | |
| | | 100 | | | 50~80 | | | | | | |
| 4 | 3 | M8×25 P1.25 | SGPWH (Flanged) | 25 | 90 | 50~70 | 10~30 | Quotation | | | |
| | | | | | 100 | 50~80 | | | | | |
| | | | | | 110 | 60~90 | | | | | |

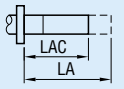
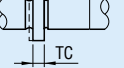
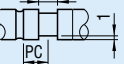
For the features of guide pins that are fixed to the stripper plate and the method of mounting, refer to P.903.

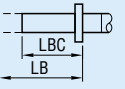

Order **Catalog No.** — **LA** — **LB** — **B**
 SGPWS 25 — 100 — 60 — B30

Days to Ship **Quotation**


Price **Quotation**

Alterations **Catalog No.** — **LA(LAC)** — **LB(LBC)** — **B** — (TC・PC・NC)
 SGPWH 20 — LAC 78 — 50 — B25 — TC4

| Alteration | Code | Spec. | 1Code |
|---|------|--|-----------|
|  | LAC | LA dimension change D LA 1mm increments 60 50 ≤ LAC < 60 13 70 61 ≤ LAC < 70 80 71 ≤ LAC < 80 16 70 60 ≤ LAC < 70 80 71 ≤ LAC < 80 90 81 ≤ LAC < 90 20 80 70 ≤ LAC < 80 100 91 ≤ LAC < 100 25 90 80 ≤ LAC < 90 100 91 ≤ LAC < 100 110 101 ≤ LAC < 110 * The tap depth is shortened by (LA-LAC). | Quotation |
|  | TC | Head thickness change 3 ≤ TC < 5 1mm increments * Can be used for SGPWH. | |
|  | PC | Addition of thread lock 1mm increments 5 ≤ PC ≤ B - 5 * Can be used for SGPWS. | |

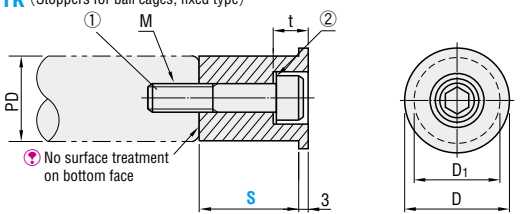
| Alteration | Code | Spec. | 1Code |
|---|------|--|-----------|
|  | LBC | LB dimension change D LA 1mm increments 60 20 ≤ LBC < 50 13 70 20 ≤ LBC < 60 80 30 ≤ LBC < 60 16 70 20 ≤ LBC < 60 80 20 ≤ LBC < 70 90 30 ≤ LBC < 80 20 80 30 ≤ LBC < 70 100 40 ≤ LBC < 80 90 40 ≤ LBC < 70 25 100 40 ≤ LBC < 80 110 50 ≤ LBC < 90 * The tap depth is shortened by (LB-LBC). | Quotation |
|  | NC | Addition of thread lock Fixed to 10mm position (For M6) * Can be used for SGPWH B ≥ 16 | |

STOPPERS FOR BALL CAGES, FIXED TYPE / CLAMPS FOR STRIPPER GUIDE PINS



RoHS

SSTK (Stoppers for ball cages, fixed type)



No surface treatment on bottom face

M S45C
S Black oxide (Fe₃O₄)
A ①CB ②Spring washer

| D | D ₁ | t | M | Catalog No. | | S | Base unit price 1~9 pieces |
|------|----------------|-----|---|------------------------------|-----|-------|----------------------------|
| | | | | Type | No. | | |
| 15 | 12 | 6.5 | 5 | SSTK (Fixed-type stopper) | 13 | 10~20 | |
| 17.3 | 15 | 8.5 | 6 | | 16 | 10~20 | Quotation |
| 24 | 19 | 11 | 8 | | 20 | 11~25 | |
| 29 | 24 | | | | 25 | 11~30 | |


| PD (No.) | ① Provided bolt CB | | | | |
|-------------|--------------------|-------|-------|-----------|-------|
| | S | | | | |
| | 10~13 | 14~18 | 19~23 | 24~28 | 29~30 |
| 13 | | | | | |
| 16 | | | | Quotation | |
| 20 | | | | | |
| 25 | | | | | |

Order **Catalog No.** — **S**
 SSTK 16 — 12

Days to Ship **Quotation**

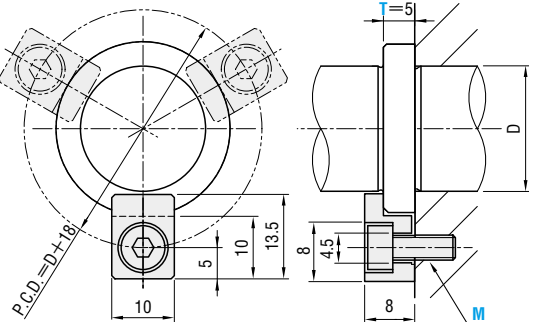
Price **Quotation**

* Use SSTK when attaching a stripper guide bushing for ball cage (P.891) to SGPWS or SGPWH.



RoHS

FCLP (Clamp for stripper guide pin)



M S45C
S Black oxide (Fe₃O₄)
A CB4-10

| Catalog No. | | M | Base unit price (1 piece) |
|-------------|---|---|---------------------------|
| Type | T | | |
| FCLP | 5 | 4 | Quotation |

Order **Catalog No.** — **M**
 FCLP 5 — 4

Days to Ship **Quotation**

Price **Quotation**

* FCLP can be used as a clamp for SGPWH・RSGPW・RSGPS.
 Use 3 pieces for D20 or less, or 4 pieces for D25 or more.