

PANEL INPUT DETECTORS

-LINK TYPE-

RoHS




Photo: PLGRC (R Type)

-Long Switch Type-
PLGLC (L Type)
PLGRC (R Type)

-Short Switch Type-
PLGLS (L Type)
PLGRS (R Type)

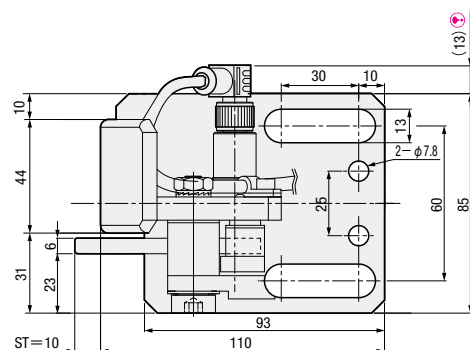
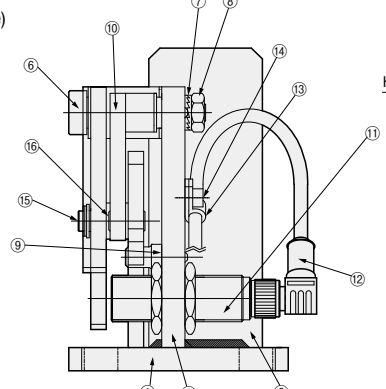
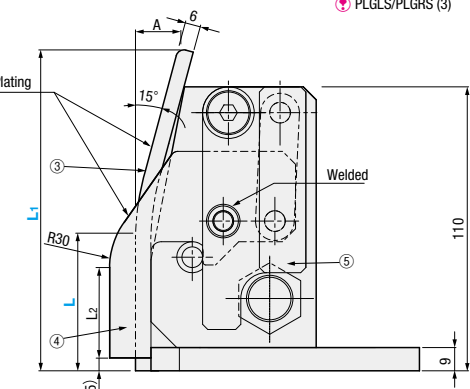


Figure: PLGLC (L Type)



B View



Components

No.	Name	Quantity	Remarks
①	Gage Main Body (Base)	1	M SS400
②	Gage Main Body (Strut)	1	M SS400
③	Gage Main Body (Support Plate)	1	M SS400 and Hard Chrome Plating
④	Detection Lever	1	M SS400 and Hard Chrome Plating
⑤	Detection Plate	1	M SS400
⑥	Shoulder Bolt	1	
⑦	Lock Washer	1	NLDP8
⑧	Hex Nuts	1	KNTR8

No.	Name	Quantity	Remarks
⑨	Stopper	1	M SUJ2 H HRC50~
⑩	Link	1	M SS400
⑪	Proximity Switch	1	See page on right
⑫	Sensor Cable	1	See page on right
⑬	Cable Clamp	1	UC-0.5
⑭	Hex Socket Head Cap Bolt	1	CB4-10
⑮	Operating Pin	1	M SUJ2 H HRC50~
⑯	Operating Pin	1	M SUJ2 H HRC50~

Features

- The parallel movement of the detection lever ensures stable detection without any adverse effect on the positioning of the panel.
- The PLGLS and PLGRS feature mounting compatibility with the PLGL and PLGR.
- The proximity switches support both AC/DC power sources, and use a connector system which makes mounting/removal simple and maintenance easy.

Proximity Switch and Sensor Cable Specifications

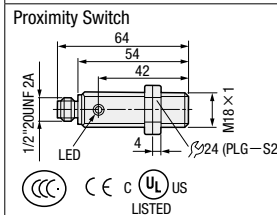
■ For PLGLC and PLGRC
Proximity Switch: EFECTOR
Model: IG0348
Power Source: AC/DC 20 - 250V
Ambient Temperature: -25 - +80°C

Sensor Cable: EFECTOR
Model: E10200 (5 m), E10261 (10 m)
Power Source: AC 250V /DC 300V

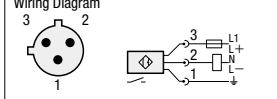
■ For PLGLS and PLGRS
Proximity Switch: EFECTOR
Model: IG0402
Power Source: AC/DC 20 - 140 V
Ambient Temperature: -25 - +70°C

Sensor Cable: TURCK
Model: WWAKW4T-5 (5 m), WWAKW4T-10 (10 m)
Power Source: AC/DC 250V

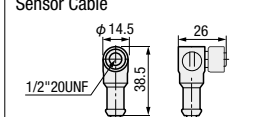
Proximity Switch



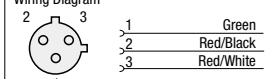
Wiring Diagram



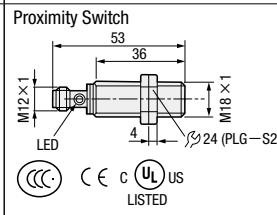
Sensor Cable



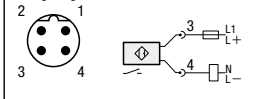
Wiring Diagram



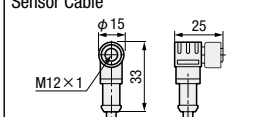
Proximity Switch



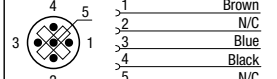
Wiring Diagram



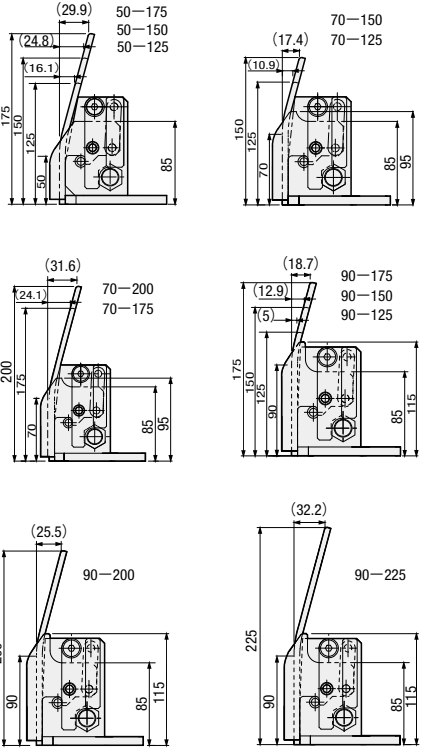
Sensor Cable



Wiring Diagram



Panel Input Detectors Form and Size



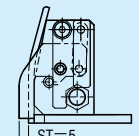
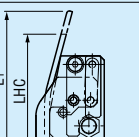
Dimensions shown include: (29.9), (24.8), (16.1), 175, 150, 125, 85, 50-175, 50-150, 50-125, 70-150, 70-125, (17.4), 150, 125, 85, 95, (31.6), 70-200, 70-175, (24.1), 200, 175, 150, 125, 85, 95, (18.7), 90-175, 90-150, 90-125, (12.9), (5), 175, 150, 125, 85, 115, (25.5), 90-200, (32.2), 90-225, 200, 90, 85, 115, 225, 90, 85, 115.

A	L2	Catalog No. Type	L	L1	
(16.1)	(35)	-Long Switch Type- PLGLC (L Type) PLGRC (R Type)	50	125	
(24.8)				150	
(29.9)				175	
(10.9)	(55)		-Short Switch Type- PLGLS (L Type) PLGRS (R Type)	70	125
(17.4)					150
(24.1)					175
(31.6)	(75)			90	200
(5.0)					125
(12.9)					150
(18.7)			175		
(25.5)			200		
(32.2)			225		

Order **Catalog No. - L - L1**
PLGLC - 50 - 125

Days to Ship **Quotation**

Alterations **Catalog No. - L - L1 - (STC/LHC...etc.)**
PLGLC - 50 - 125 - CLC

Alterations	Code	Spec.
	STC	Changing the stroke length (ST) of the detection lever ST=10→5 mm
	LHC	Gage height L ₁ changed 115 ≤ LHC < L ₁ max 5 mm increments ⊗ Length 90 only 115 cannot be designated
Changing the length of the sensor cable	CLC	The length of the sensor cable can be changed from 5m to 10m
No proximity switch No sensor cable	SCN	No proximity switch and sensor cable provided (11, 12, 13, 14)