

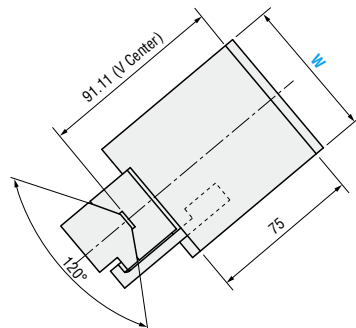
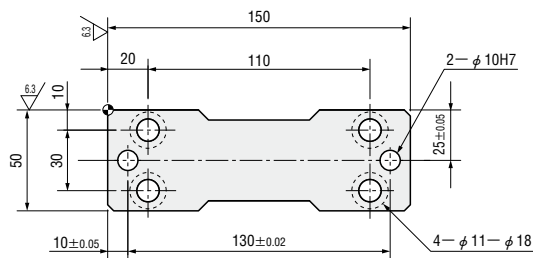
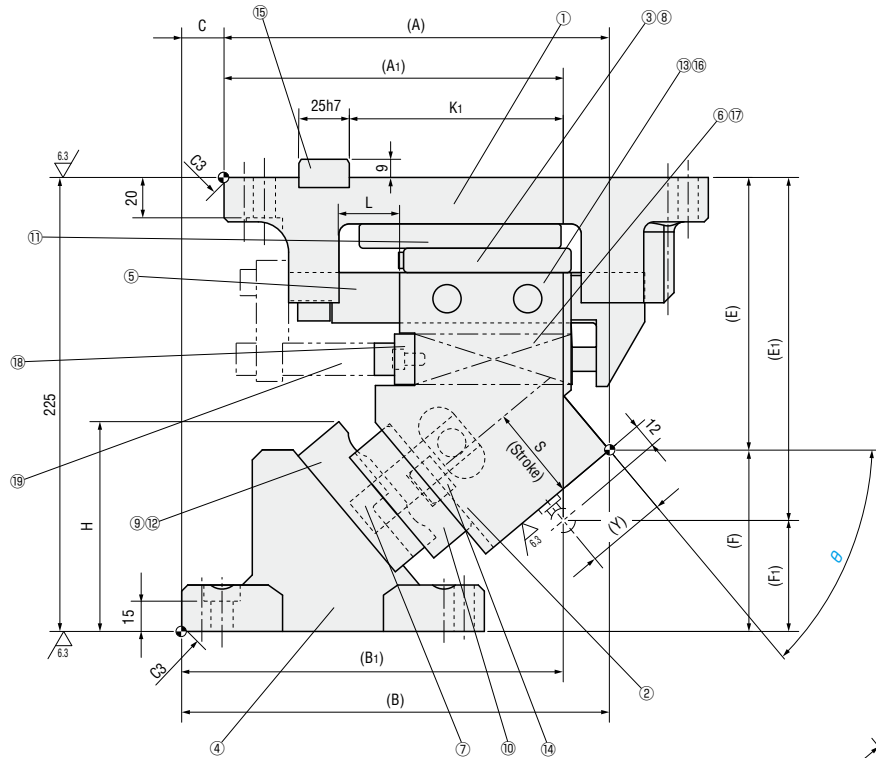
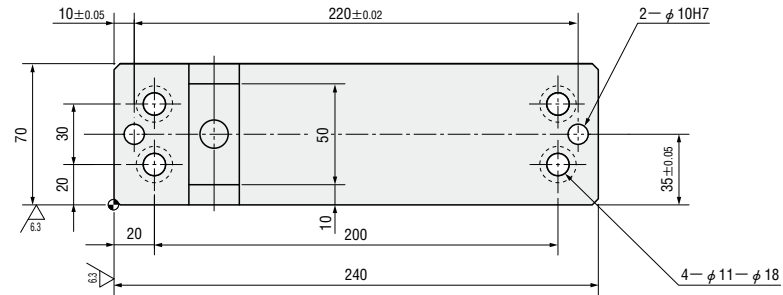
NAAMS STANDARD FLYING CAM UNITS

—MGFNS · MEFNS—



MGFNS70 ($\theta=45-60$)
MEFNS70 ($\theta=45-60$)

(Economy type)



■ Components table P.1311

W	θ	A	A ₁	B	B ₁	C	E	E ₁	F	F ₁	H	K ₁	L	Y
70	45	198.15	181.4	200.15	183.4	2	131.28	165	93.72	60	96.1	110.5	30	35.68
	50	190.95	168.09	211.95	189.09	21	135.15	170	89.85	55	104	106		39.92
	55	190.51	170.02	213.51	193.02	23	146	175	79	50	104.8	101.5	25	33.41
	60	185.81	167.99	220.81	202.99	35	155.86	180	69.14	45	106.3	98.5		27.5

Slide Stroke S	Working force KN (tonf)	Total weight kg	Catalog No.	W	θ	Spring Code
42.3	98.1 (10.0)	13.8	MGFNS MEFNS (Economy type)	70	45	GK ISO NGK NISO
46.7		13.9			50	
43.6		14.1			55	
50.0		14.5			60	

Spring type

Spring Code	Spring specification	Spring load N (kgf)			Remarks
		θ	Preload	5mm before bottom dead center / Max. load	
GK	M150—38.1	—	—	2350(240.0)	Gas spring (Equivalent to KALLER)
ISO	$\phi 25 \times 115$	45	69(7.0)	588(60.0)	Coil spring (Constant=19.6N/mm)
		50		594(60.6)	
		55	88(9.0)	521(53.2)	
60	529(54.0)				
NGK	—	—	—	—	Without gas spring
NISO	—	—	—	—	Without coil spring

Order **Catalog No.** MGFNS **W** 70 **θ** 55 **Spring Code** ISO

Alterations **Catalog No.** MGFNS **W** 70 **θ** 50 **Spring Code** GK (NF)

Days to Ship **Quotation**

Price **Quotation**

Alteration	Code	Spec.
	NF	No nitrogen is filled into gas spring. Only for GK.