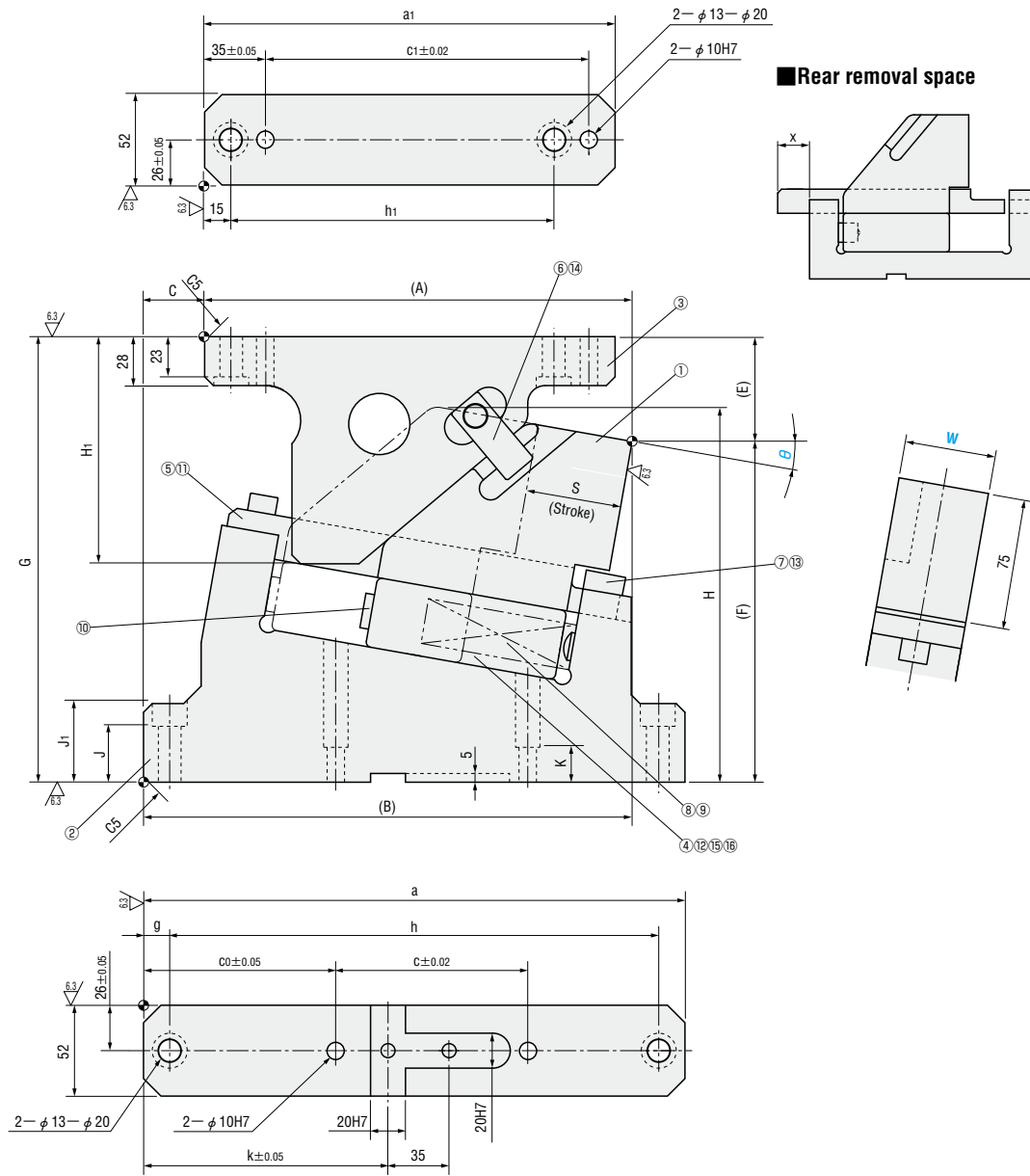


# COMPACT UNDER CAM UNITS

—MGDCC · MEDCC—



MGDCC52  
MEDCC52  
(Economy type)



■ Rear removal space

■ Components table P.1342

W	$\theta$	S	A	B	C	E	F	G	H	H <sub>1</sub>	J	J <sub>1</sub>	K	a	a <sub>1</sub>	c	c <sub>0</sub>	c <sub>1</sub>	g	h	h <sub>1</sub>	k	x	
52	00	55	220	220	0	45	170	215	170	145	14	—	28	235	210	105	65	160	45	145	160	90	26	
	05		234.87	269.87	35	59.34	195.66	255	205.8		130	32	45	20	310	225	110	110	185	15	280	175	185	140
	10		244.75	279.75		59.98	195.02		215.2	235														
	15		249.51	289.51	40	61.91	193.09		223.2	240														
	20		249.05	304.05	55	80.12	174.88		214.6	120	35													

Working force KN (tonf)		Spring load N (kgf)			Total weight kg	Catalog No.	W	$\theta$	Slide Stroke S
Standard working force	Max. working force	Preload	5mm before bottom dead center	Max. load					
19.6 (2.0)	39.2 (4.0)	85 (8.7)	559 (57.0)	607 (61.9)	14.2	MGDCC MEDCC (Economy type)	52	00	55
					18.5				
					19.4				
					20.0				
					19.5				

Order   —  —   
MGDCC 52 — 00 — 55

Days to Ship

Price

Alterations   —  —  — (K · SC · WC)  
MGDCC 52 — 00 — 55 — WC

Alterations	Code	Spec.
	K	Add 2 locating keys (With 2 hexagon socket head cap screw M8×15)
	SC	Move forward mounting surface $0 \leq SC \leq 65$ 1mm increment
	WC	Change the width of mounting surface $W=52 \Rightarrow W=100$