

# HEMMING COMPONENTS

## HEMMING COMPONENTS



Product name Catalog No.	SINGLE LINK UNITS MSHU	PARALLEL LINK UNITS MPHU	PARALLEL LINK UNITS — WIDE TYPE — MPHWU
Page	1384	1385	1386



CORNER LINK UNITS — DOUBLE-HIT PREVENTION TYPE — MCHU	DOUBLE-FULCRUM LINK UNITS MFHU	DRIVERS MHD □ MHD □ W MHD FCD □	DRIVERS MHDF
1387	1388	1389	1391

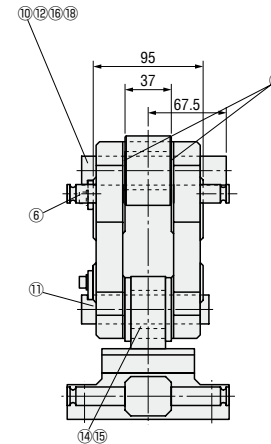
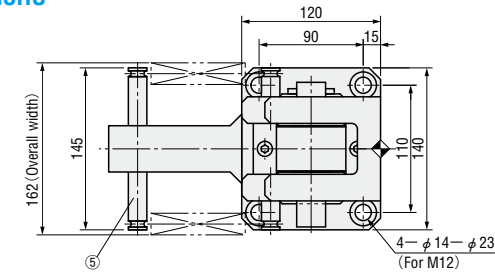


CONVEYER UNITS MMC □ MMCS □ MMUNJL	STOPPER UNITS MHSTU	LIFTER UNITS FOR CONVEYER OPERATION MMCLT
1392	1393	1394

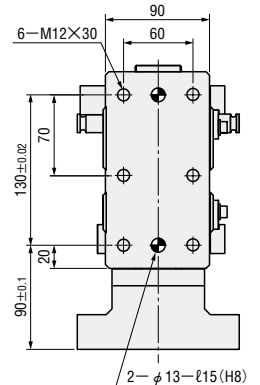
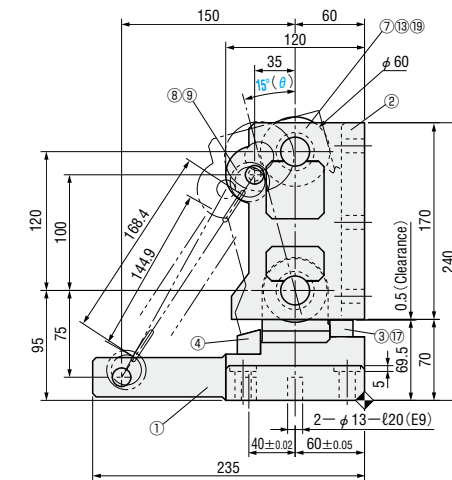
# SINGLE LINK UNITS



MSHU



\* This drawing shows the right side.  
The left side is symmetric to this drawing.



### Components list

No.	Name	Qty.	Material & remarks	No.	Name	Qty.	Material & remarks
①	Base	1	Equivalent to FCD600	⑭	Oil-free bushing	1	Copper alloy
②	Bracket	1	Equivalent to FCD600	⑮	Oil-free washer	2	Copper alloy
③	Liner guard	1	SS400	⑯	Hexagon socket head cap bolt	4	M6×16
④	Stopper	1	SS400	⑰	Hexagon socket head cap bolt	2	M8×12
⑤	Tension spring pin	1	SS400	⑱	Spring washer	4	For M6
⑥	Tension spring pin	2	SS400	⑲	Oil-free bushing	1	Copper alloy
⑦	Roller	1	S45C	⑳	Oil-free washer	2	Copper alloy
⑧	Ring for tension spring	4	SS400				
⑨	Tension spring	2	SWP-A				
⑩	Roller shaft	1	S45C				
⑪	Hinge pin	1	S45C				
⑫	Key	2	SS400				
⑬	Oil-free bushing	1	Copper alloy				

### Spring force

Free length (mm)	Initial length (mm)	Initial tension N (kgf)	Final length (mm)	Final tension N (kgf)
130.0	144.9	178.9×2 (18.3×2)	168.4	304.2×2 (31.1×2)

Catalog No.	(θ)	R/L
MSHU	15	R · L

Alterations	Catalog No.	(θ)	R/L	(J)
	MSHU	15	L	J

♦ Drivers conforming to this link unit are MHDA and MHD FCD. (P.1389 · 1390)

Order	Catalog No.	(θ)	R/L
	MSHU	15	L

Days to Ship	Quotation
--------------	-----------

Price	Quotation
-------	-----------

Alteration	Code	Spec.
	J	Add a 10mm high and 5mm thickness.