
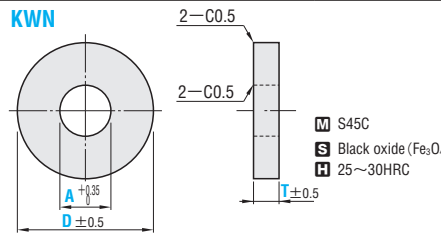

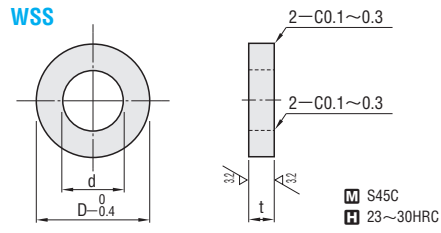


Washers for die fastening RoHS **KWN**

Washers for oblong holes RoHS **WSS**

M S45C
S Black oxide (Fe₃O₄)
H 25~30HRC

Catalog No.		D	A	T	Base unit price 1~19 pieces
Type	No.				
KWN	50	22	10-15	Quotation	
	60	26	10-15		
	70	26	10-15		
	80	26	10-15		

D	d	T	t	Catalog No.		Base unit price 1~49 pieces	Volume discount unit price		
				Type	No.		50~199	200~499	500~1000
12.5	6.4	+0.25	2.5	WSS	6	Quotation			
17	8.4	0	±0.25		8				
21	10.5	3	±0.3		10				
24	13	+0.3	±0.4		12				
30	17	0	±0.5		16				
37	21	5	±0.5	20					

Order Catalog No. — **A** — **T**

KWN 60 — 22 — 15

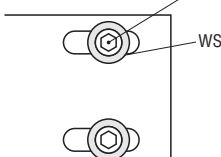
WSS 8

ex Example

Days to Ship Quotation


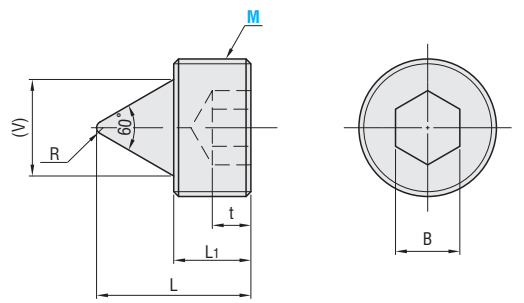
Price Quotation

Hexagon socket head cap screw



⚠ To prevent breakage, the plate thickness is slightly thicker and the hardness is 23~30HRC.

Scrap breakers for cam pierce dies RoHS **CPSBR**

M S45C
S Black oxide (Fe₃O₄)
H 25~30HRC

⚠ Dimensions in parentheses are reference values.

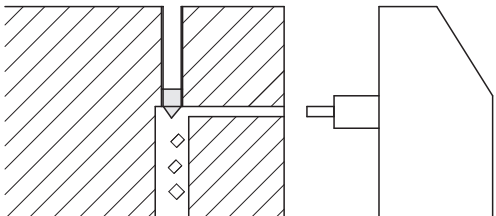
M×P	L	L ₁	B	V	t	R	Catalog No.		Base unit price 1~9 pieces
							Type	M	
16×1.5	20	10	8	(12.7)	5	CPSBR	16	Quotation	
20×1.5	24	12	10	(15.0)	6		20		
24×1.5	26	12	14	(17.3)	8		24		

Order Catalog No.
CPSBR20

Days to Ship Quotation



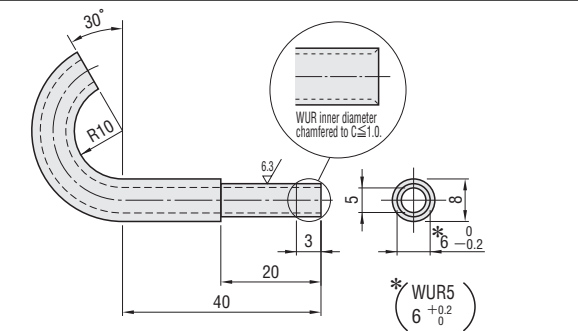
Price Quotation

ex Example



Air vents for drawing dies

WUR 5 RoHS **WAV 5**

⚠ Yellow
M Polyurethane
H Shore A90

⚠ Use an epoxy-based adhesive for mounting.
M Brass (C2700T)

Catalog No.	Base unit price 1~9 pieces
WUR 5 (Polyurethane)	Quotation
WAV 5 (C2700T)	


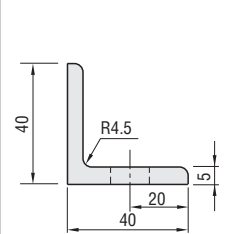
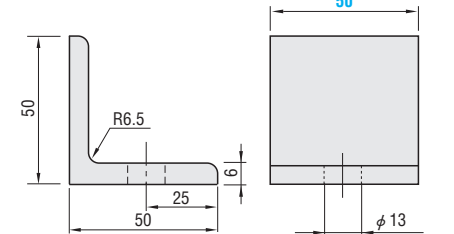
Order P Price

Catalog No.
WAV 5

Days to Ship Quotation

Quotation

Angle stays RoHS **UAS40-40** **UAS50-50**

M SS400

Catalog No.		Base unit price 1~9 pieces
Type	No.	
UAS	40-40	Quotation
	50-50	

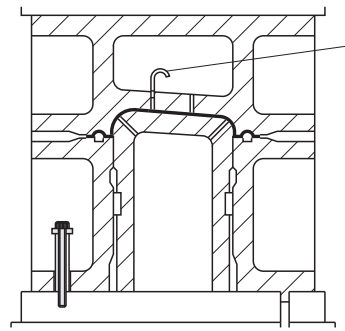
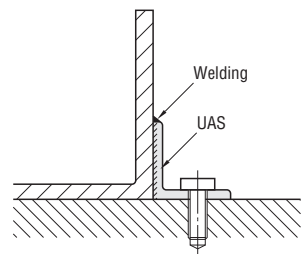
Order P Price

Catalog No.
UAS 40-40

Days to Ship Quotation

Quotation

ex Example

Air vent for drawing die